

Cleanawater

# TS5000 SS Oil Water Separator



## Why are they used?

Cleanawater's TS series oil water separator packages are installed to remove oils, grease and free hydrocarbons from waste water. They are a standard, low cost, pre treatment system for industrial applications commonly used in Australasia.



## Features

- ◆ Low cost packages available from \$4 per day\*
- ◆ Small footprint – install to tight spaces
- ◆ Available with a selection of upgrades to suit site specific requirements
- ◆ Utilizes MPK coalescing media technology which is less prone to premature blockage
- ◆ No filter bag consumables required
- ◆ Removes hydrocarbons to 10ppm to exceed water authority regulations
- ◆ Commonly used as primary treatment for water recycling

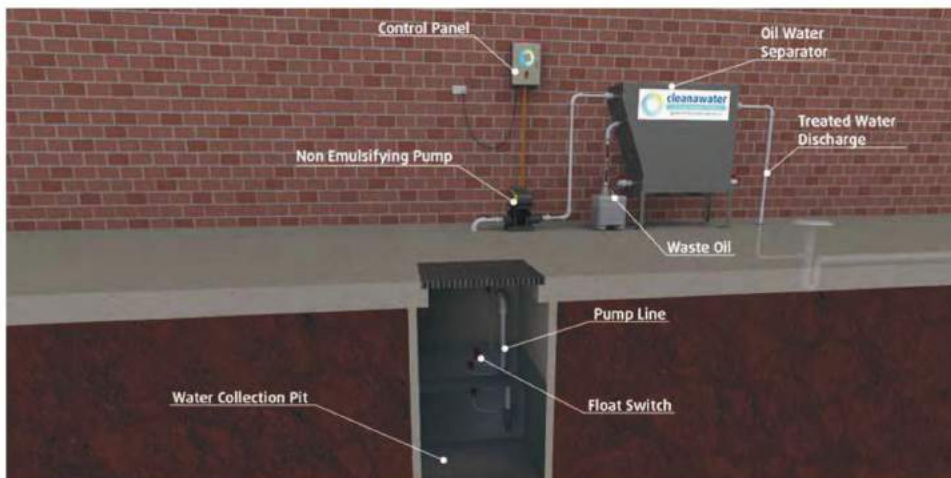
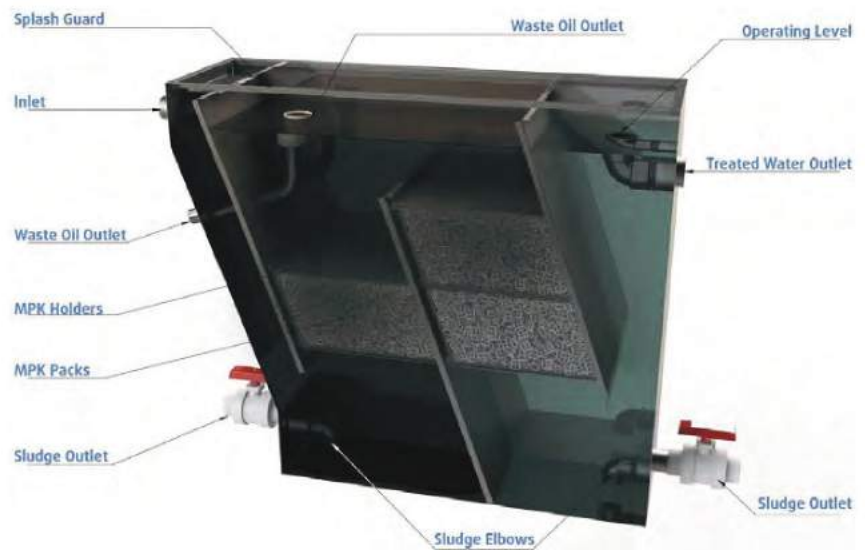
## Benefits

- ◆ Approved and appraised by all major metropolitan and regional authorities
- ◆ Turn key packages – easy and quick to install
- ◆ Avoid costly fines from authorities
- ◆ Avoid compromising the daily operations of your business
- ◆ Weatherproof for outdoor installation
- ◆ Automated operation and no consumables required
- ◆ Average working life of 20+ years

# TS4000 SS Oil Water Separator

## How do they work?

Coalescing media packs are positioned in two stages to force free oil droplets to impinge on surface area. Upon impingement on media packs, droplets rise to the surface and are skimmed off into a waste oil container.



## Typical Layout Detail

Systems generally are setup to pump oily water from a sump or tank for treatment and discharged to sewer, leach drains, evaporative ponds or holding tanks. Contact Cleanawater to discuss your application.

## Common Applications

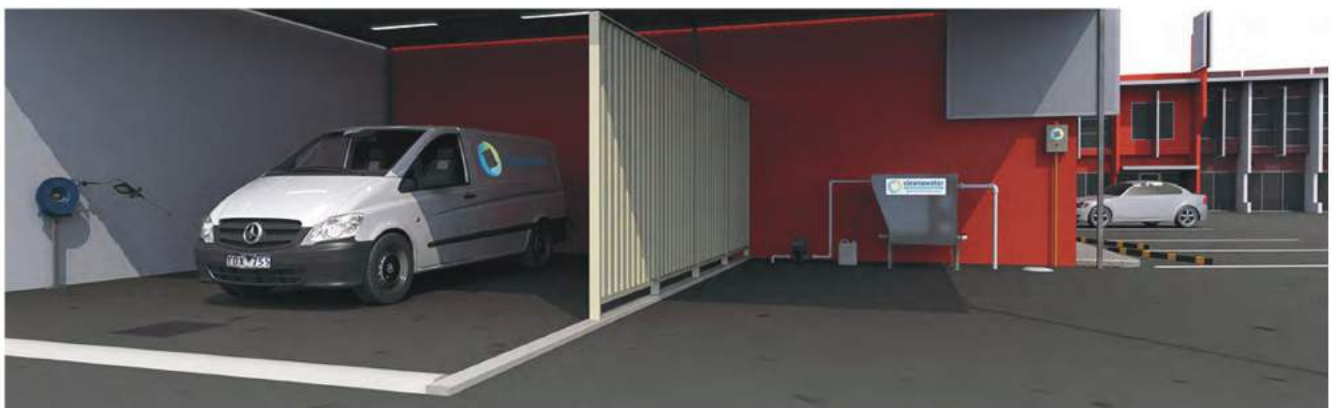
- ◆ Wash Down Bays
- ◆ Small to Large Industrial & Mechanical Workshops
- ◆ Mining Workshops
- ◆ Mining LV/HV Wash Down Bays
- ◆ Refuelling Areas
- ◆ Construction Sites
- ◆ Transformer Bunds
- ◆ Commercial Car Washes
- ◆ Vehicle & Equipment Wash Down Bays
- ◆ Truck & Heavy Vehicle Bays
- ◆ Service Stations
- ◆ AQIS Wash Down Facilities
- ◆ Hire Equipment Branches
- ◆ Food and Beverage Plants

## Standard Inclusions List

Item	Standard
Cleanawater Oil Water Separator	✓
Non Emulsifying Pump	✓
Float Switch	✓
Control Panel 240V	✓
Galvanized Support Frame	✓
20 Litre Waste Oil Drum	✓



\* Additional accessories available to suit your specific application, contact Cleanawater on 1800 353 788 to discuss your requirements.



## Specifications

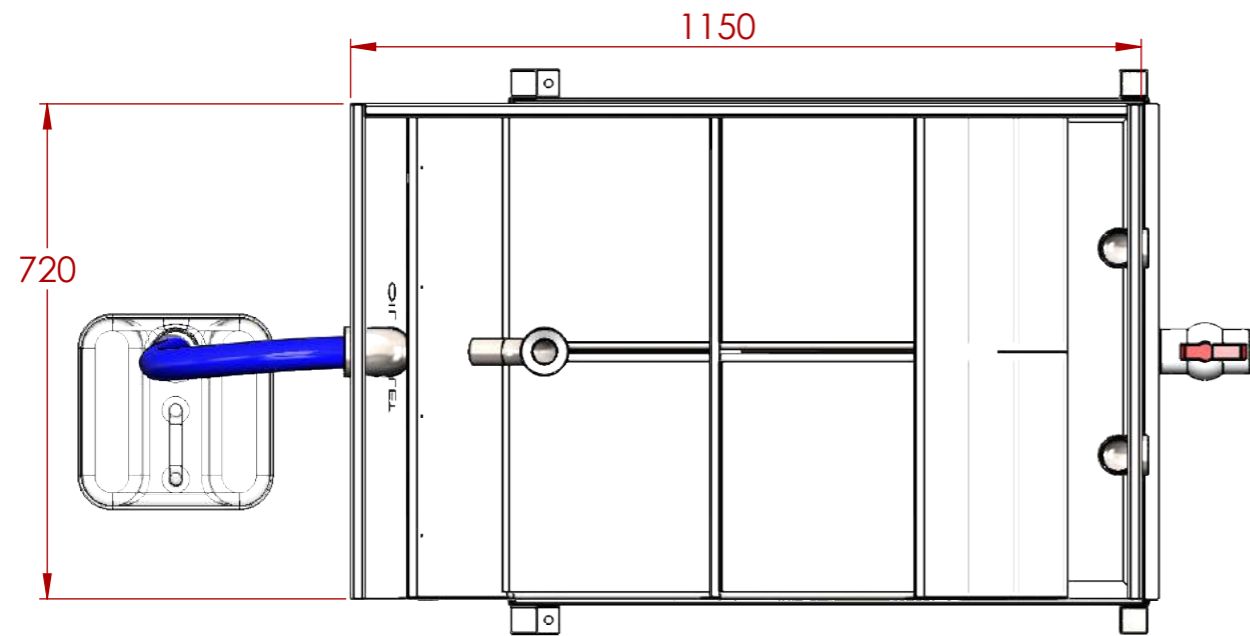
Model	TS5000 SS
<b>System Info</b>	
Dimensions	1150mm long x 720mm wide x 990mm high
Nominal Litres per Hour	5,000 Litres per hour
Maximum Litres per Hour	5,000 Litres per hour
<b>Material</b>	
Construction	304 SS
Shipping Weight / Operating Weight	100kg / 760kg
Pump Model	Helical Rotor / Diaphragm
<b>Power</b>	
Power Requirement	240V 10 amp
Power Usage	1,780W
<b>Performance</b>	
Typical TPH Influent	< 5000-6000ppm*
Typical TPH Discharge (treated)	< 10 ppm*

\* TPH, oil and grease results are typical and based on free hydrocarbons only, emulsified hydrocarbons may affect discharge results and additional filtration may be required.

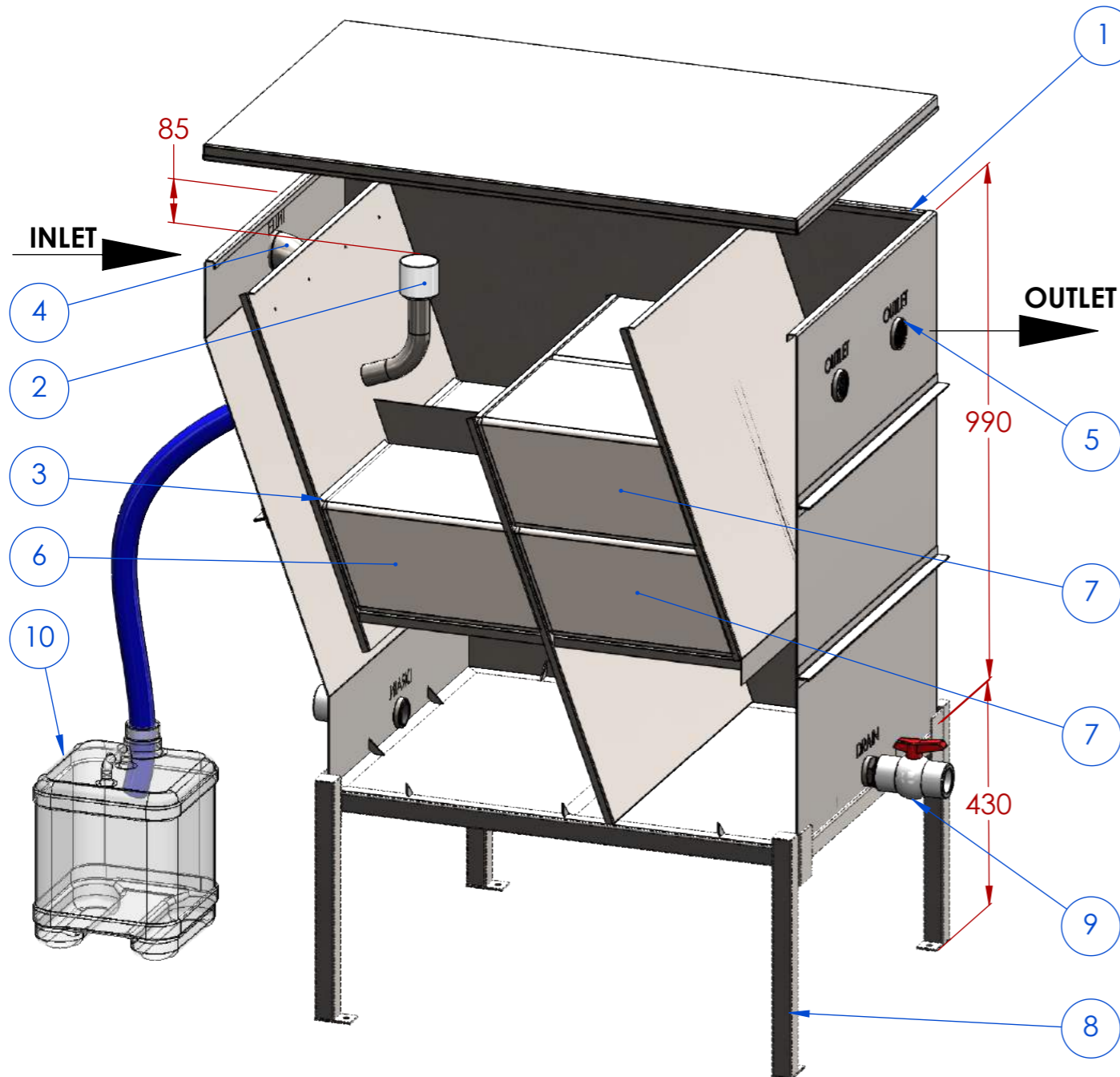


**Attractive Finance and Lease options  
available from \$4 per day.**

For more information, contact Cleanawater on **1800 353 788**  
or email [info@cleanawater.com.au](mailto:info@cleanawater.com.au)



ITEM NO.	QTY	CODE	DESCRIPTION	SPECIFICATION
1	1	70383	TS3000-5000 OIL WATER SEPARATOR WITH LID	STAINLESS STEEL
2	1	70355	ADJUSTABLE OIL SKIMMING COLLAR	POLYPROPYLENE
3	1	70357	STAINLESS STEEL RETAINING MESH	STAINLESS STEEL
4	1	-	ELBOW, 90°; DN50 SCH40; FF THRD BSP Rp2	STAINLESS STEEL
5	1	-	ELBOW, 90°; DN40 SCH40; FF THRD BSP Rp1 1/2	STAINLESS STEEL
6	2	-	SEPARATION MEDIA PACK - UPSTREAM POSITION	POLYPROPYLENE RINGS IN HDPE MESH BAGS
7	4	-	SEPARATION MEDIA PACK - DOWNSTREAM POSITION	POLYPROPYLENE RINGS IN HDPE MESH BAGS
8	1	71613	SS STAND, TS3000 - TS5000, STACKABLE	STAINLESS STEEL
9	2	71388	DN 40 BALL VALVE	PVC
10	1	16413	20L CONTAINER, NON DANGEROUS GOODS	PLASTIC



PALL RING SIZES		
FLOW RATE(L/hr)	UPSTREAM POSITION	DOWNSTREAM POSITION
3000	2 BAGS 25mm RINGS	4 BAGS 25mm RINGS
4000	2 BAGS 25mm RINGS	4 BAGS 16mm RINGS
5000	2 BAGS 16mm RINGS	4 BAGS 16mm RINGS

PARAMETER	VALUE
FLOWRATE AVAILABLE (L/Hr)	3000, 4000, 5000

**COALESCING PLATE SEPARATORS - SS304 - TS3000 TO TS5000**

UNLESS OTHERWISE SPECIFIED: DIMENSIONS ARE IN MILLIMETERS SURFACE FINISH: TOLERANCES: LINEAR: 0.05 mm ANGULAR: 0.10°		MATERIAL:  VARIOUS		DEBUR AND BREAK SHARP EDGES		<b>CleanaWater®</b> A3	
NAME	SIGNATURE	DATE	FINISH:	TITLE:			
DRAWN SYN		21-02-2020	VARIOUS	OIL WATER SEPARATOR SPECIFICATION DETAILS			
PROPRIETARY AND CONFIDENTIAL THE INFORMATION CONTAINED IN THIS DRAWING IS THE SOLE PROPERTY OF H2O CLEANAWATER. ANY REPRODUCTION IN PART OR AS A WHOLE WITHOUT THE WRITTEN PERMISSION OF H2O CLEANAWATER IS PROHIBITED.			DO NOT SCALE DRAWING		DWG NO.  TSSS-DAT-001		REVISION  0
H2O CLEANAWATER, 40 LATITUDE BLVD, THOMASTOWN, VIC 3074. 1800 353 788		WEIGHT:		SCALE:1:10		SHEET 2 OF 3	