

Telstra Networks Wireless program Delivery Template - 017866P02 issue 11/02/12/2013

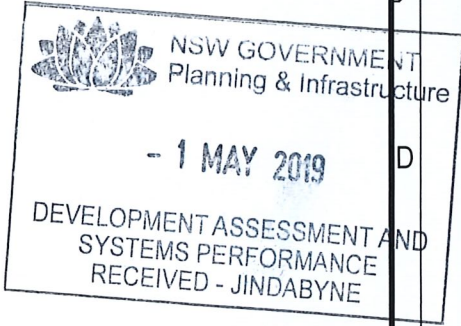
A	DRAWING DESCRIPTION	DRAWING NUMBER	SHEET NO.	ISSUE NO.	ISSUE DATE	DRAWING STATUS				
						CANCELLED	PRELIMINARY	FOR CONSTRUCTION	AS BUILT	REFERENCE ONLY
	SITE SPECIFIC NOTES - SHEET 1 OF 2	N110757	S0	1	21/01/19			✓		
	SITE SPECIFIC NOTES - SHEET 2 OF 2	N110757	S0-1	1	21/01/19			✓		
	SITE LAYOUT AND ACCESS	N110757	S1	1	21/01/19			✓		
	NORTH EAST ELEVATION	N110757	S3	1	21/01/19			✓		
B	EME EXCLUSION ZONES - PLAN	N110757	A3	1	21/01/19			✓		
	EME EXCLUSION ZONES - ELEVATION	N110757	A3-1	1	21/01/19			✓		
	AC POWER CONNECTION	N110757	E2	1	21/01/19			✓		
	TE/RT CONSTRUCTION WORKS	N110757	E6	1	21/01/19			✓		
C	OMNI ANTENNA MOUNTING DETAILS	N110757	T3	1	21/01/19			✓		
	RF ISOLATION SWITCH MOUNTING DETAILS	N110757	T3-1	1	21/01/19			✓		
	STRUCTURAL DESIGN CERTIFICATION PROJECT NO. NA18546.01	N110757	Z1	1	21/01/19			✓		
	EQUIPMENT LAYOUT	NX31028/3	1	27	31/03/17					✓
D										
E	REFERENCE DRAWINGS:									
	STANDARD CONSTRUCTION NOTES	017866P05	1	2	19/11/10			✓		
	ELECTRICAL SPECIFICATION	017866P160	1	3	07/12/12			✓		
	AC ISOLATION SWITCH WITH MEN FOR SMALL CELL SITES	017866P188	3	1	23/02/18			✓		
	LOW LIGHTING RISK - CABINET WITH DROP DOWN SUPPLY SINGLE LINE DIAGRAM	017866P190	22	1	04/12/18			✓		
	TYPICAL ENHANCEMENT COMPOUND INSTALLATION TO EARTH ELECTRODE & EARTH STRAP	017866P201	5	1	11/05/11			✓		
	SMALL CELL ENCLOSURE- SHEET 1 OF 3	FG-ENCAL-0085	1	A	01/06/17			✓		
	SMALL CELL ENCLOSURE- SHEET 2 OF 3	FG-ENCAL-0085	2	A	01/06/17			✓		
	SMALL CELL ENCLOSURE- SHEET 3 OF 3	FG-ENCAL-0085	3	A	01/06/17			✓		



GUTHEGA FARM CREEK

NODE MANAGER ADDRESS ID: 321653

ADDRESS: OFF MOUNT TATE ROAD
GUTHEGA VILLAGE
NSW 2627



UNAPPROVED DRAWING



Level 1, 350 Collins Street Melbourne, Victoria 3000 Australia
T +61 3 8605 4815 | F +61 3 8601 1180 | www.cyient.com

ORDER	DRAWN	CHKD	AMENDMENT	EXAM	APPD	DATE	ISS
NA18546.01	MH	PNK	FOR CONSTRUCTION - 30069069W0053CYI - LTE700	SW	SW	21.01.19	1

Telstra

**MOBILE NETWORK SITE 321653
GUTHEGA FARM CREEK**

DRAWING INDEX AND DOCUMENT CONTROL
OFF MOUNT TATE ROAD, GUTHEGA VILLAGE, NSW 2627

DWG NO. **N110757** SHT NO. DC

© Telstra Corporation Limited ABN 33 051 775 556 All rights reserved.

Cad file: N110757.dwg

SITE SPECIFIC NOTES

OUTDOOR EQUIPMENT

TYPE: PROPOSED TELSTRA LTE700 RRUS-2217 (B28B) (1 OFF) TO BE MOUNTED ON EXISTING TIMBER STREET LIGHT POLE
 COLOR: NATURAL
 FEEDER ENTRY: POLE MOUNTED

STRUCTURE

TYPE: EXISTING TIMBER POLE
 COLOUR: NATURAL
 REFERENCE DRAWING: N/A

ANTENNA ACCESS

TELSTRA: ELEVATED WORK PLATFORM
 OTHERS: N/A

ANTENNA MOUNTS

TYPE: PROPOSED TELSTRA ANTENNA MOUNT
 COLOUR: GALVANISED FINISH
 REFERENCE DRAWING: SHEET T3

POWER SUPPLY

TELSTRA REMOTE END EQUIPMENT IS TO BE POWERED FROM POWER PILLAR #374985 VIA 10A PROTECTION FUSE, POWER CONTROL BOX AND ISOLATION/TILT SWITCH. DONOR END EQUIPMENT BB6303 TO BE POWERED FROM HUT DC DISTRIBUTION VIA 10A DC CB. REFER TO DRAWING NX31028/3 SHEET 1 FOR DETAILS. DIAL 1100 BEFORE YOU DIG.

ENVIRONMENTAL ISSUES

REFER TO ENVIRONMENTAL RISK ASSESSMENT CHECKLIST 018422f10 INCLUDE ANY ANIMALS:
 NESTING BIRDS: OSPREY ETC.
 DANGEROUS SNAKES, WASPS & SPIDERS ETC.
 MENACING CATTLE ETC.

EARTHING DETAIL

INSIDE THE HUT LTE700 RACK EARTH SHALL BE BONDED TO THE MAIN SERVICE EARTH BAR IN THE HUT. REMOTE SITE TO BE EARTHED AS PER TELSTRA STANDARD 017866P190 SHEET 22.

SITE ACCESS

SITE ACCESS VIA OFF MOUNT TATE ROAD, GUTHEGA VILLAGE, NSW 2627. REFER TO SHEET S1 FOR DETAILS

SITE SIGNAGE

ALL EME SIGNAGE IS REFERENCED ON DRAWINGS S1 & S3. REFER TO DOCUMENTS 005486 FOR DETAILS.

GENERAL NOTES

- ALL DIMENSIONS ARE IN MILLIMETRES UNLESS SPECIFIED OTHERWISE.
- BIRD PROOFING CABLES AND ALL ACCESS POINTS ON THE STRUCTURE MUST BE BIRD PROOFED IN ACCORDANCE WITH THE METHODS SPECIFIED IN DOCUMENT NO. 003615 EXTERNAL PLANT STANDARDS FOR MOBILE BASE STATIONS, SECTION 6.3.3. FOR QUEENSLAND, ALL FEEDERS ARE TO BE BIRD PROOFED WHEN INSTALLED.
- SERVICES, WHERE SHOWN ARE INDICATIVELY ONLY. LOCATION OF ALL RELEVANT EXISTING SERVICES SHALL BE IDENTIFIED AND CONFIRMED PRIOR TO COMMENCING WORK. THE CONTRACTOR TO LIAISE WITH RELEVANT AUTHORITIES FOR DIRECTIONS AND PERMITS REQUIRED.
- FEEDER CONNECTION DETAILS, ELECTRICAL AND MECHANICAL TILTS ARE TO BE OBTAINED FROM CANRAD REPORTS.
- CONSTRUCTORS ARE TO BE AWARE OF TELSTRA DOCUMENT 007338-C8-11 AND IN PARTICULAR CLAUSE 7.3 & 10.3 WHICH DESCRIBES REQUIREMENTS PERSONNEL MUST UNDERTAKE IN RESPECT TO ASBESTOS MANAGEMENT AT TELSTRA FACILITIES.

SITE REFERENCE DETAILS

OCCUPIER	SITE NAME	SITE CODE
TELSTRA	GUTHEGA FARM CREEK	321653
RFNSA SITE NUMBER - 2627023 STRUCTURE OWNER - PRIVATE		

SERVICES LEGEND

— T — T — T — T —	OPTIC FIBRE ABOVE GROUND
— T - - - T - - - T - - - T - - -	OPTIC FIBRE BELOW GROUND
— E — E — E — E —	ABOVE GROUND ELECTRICAL SUPPLY
— E - - - E - - - E - - - E - - -	BELOW GROUND ELECTRICAL SUPPLY
— G — G — G — G —	GAS SUPPLY
— HV — HV — HV — HV —	HIGH VOLTAGE ELECTRICAL SUPPLY
— W — W — W — W — W — W —	WATER SUPPLY
— S — S — S — S — S — S —	SEWER LINE
— SW — SW — SW — SW —	STORM WATER
— FE — FE — FE — FE —	ABOVE GROUND FEEDER CABLES
— FE - - - FE - - - FE - - - FE - - -	BELOW GROUND FEEDER CABLES

NSW GOVERNMENT
 Planning & Infrastructure
 - 1 MAY 2019
 DEVELOPMENT ASSESSMENT AND
 SYSTEMS PERFORMANCE
 RECEIVED - JINDABYNE

**UNAPPROVED
 DRAWING**

COMPLIANCE BOX
 COMPLETED AS PER DESIGN
 ALTERATIONS IN RED
 NAME (PRINT) _____
 SIGNATURE _____ DATE _____

NOTE: THIS DRAWING TO BE READ IN CONJUNCTION WITH SHEET S0-1

FOR CONSTRUCTION



ORDER	DRAWN	CHKD	AMENDMENT	EXAM	APPD	DATE	ISS
NA18546.01	MH	PNK	FOR CONSTRUCTION - 30069069W0053CYI - LTE700	SW	SW	21.01.19	1

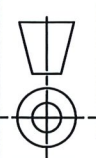
Telstra
 MOBILE NETWORK SITE 321653
 GUTHEGA FARM CREEK
 SITE SPECIFIC NOTES - SHEET 1 OF 2
 OFF MOUNT TATE ROAD, GUTHEGA VILLAGE, NSW 2627
 DWG NO. **N110757** SHT NO. S0

© Telstra Corporation Limited ABN 33 051 775 556 All rights reserved.

Telstra Networks Wireless program Delivery Template - 017866p02 issue 11 02/12/2013

DO NOT SCALE

F



EQUIPMENT NOTES - PROJECT NO. NA18546.01

ITEM	EQUIPMENT	EQUIPMENT DETAILS	EXISTING	PROPOSED	TOTAL	REFERENCE DWG
1	A/G CONDUITS (POWER)	UPVC P20 COLOUR GREY UV RESISTANT, 4m LONG	0	1	1	-
2	A/G CONDUIT (FIBRE)	UPVC P20 COLOUR GREY UV RESISTANT, 5.5m LONG	0	1	1	-
3	ERICSSON RADIO UNIT LTE700 RRUS-2217 (B28B) (ERICSSON RAIL SEF 901 305 0180 AFFIXED WITH 4 x M10 14mm BOLTS)	MOUNTED INSIDE ICS ENCLOSURE ON TELSTRA POLE	0	1	1	SHEET S1
4	FIBRE INTERFACE JUNCTION BOX	150 (W) x 95 (D) x 200mm (H)	0	1	1	SHEET S3
5	PSU-AC02	POWER SUPPLY UNIT FOR RADIO UNIT	0	1	1	SCM3007 SHEET 1 TO 4
6	AC ISOLATION/TILT SWITCH	POLE MOUNTED	0	1	1	SHEET S3
7	POWER CONTROL BOX	POLE MOUNTED	0	1	1	SHEET S3
8	TAIL FEEDER CABLES (SCF12-50J)	SCF12-50J, LENGTH 4m	0	2	2	SHEET S3
9	LTE700 OMNI ANTENNA (UNX001U-2P)	ATTACHED TO PROPOSED MOUNT	0	1	1	SHEET S3
10	RBS BB6303	PROPOSED IN PERISHER VALLEY AT GD/102B/06	0	1	1	REFER DWG NX31028/3
11	ERICSSON SIU-02	EXISTING IN PERISHER VALLEY AT GD/102A/6	1	0	1	REFER DWG NX31028/3

NSW GOVERNMENT
Planning & Infrastructure

- 1 MAY 2019

DEVELOPMENT ASSESSMENT AND
SYSTEMS PERFORMANCE
RECEIVED - JINDABYNE

**UNAPPROVED
DRAWING**

COMPLIANCE BOX
 COMPLETED AS PER DESIGN
 ALTERATIONS IN RED
 NAME (PRINT) _____
 SIGNATURE _____ DATE _____

SITE DESIGN BRIEF LTE700 NA18546.01 ISSUE 01 DATED 26/03/2018

NOTE: THIS DRAWING TO BE READ IN CONJUNCTION WITH SHEET S0

FOR CONSTRUCTION

CYIENT
 Level 1, 350 Collins Street Melbourne, Victoria 3000 Australia
 T +61 3 8605 4815 | F +61 3 8601 1180 | www.cyient.com

ORDER	DRAWN	CHKD	AMENDMENT	EXAM	APPD	DATE	ISS
NA18546.01	MH	PNK	FOR CONSTRUCTION - 30069069W0053CYI - LTE700	SW	SW	21.01.19	1

Telstra
 MOBILE NETWORK SITE 321653
 GUTHEGA FARM CREEK
 SITE SPECIFIC NOTES - SHEET 2 OF 2
 OFF MOUNT TATE ROAD, GUTHEGA VILLAGE, NSW 2627
 DWG NO. **N110757** SHT NO. S0-1
Cad file: N110757.dwg

© Telstra Corporation Limited ABN 33 051 775 556 All rights reserved.

Telstra Networks Wireless program Delivery Template - 017866P02 issue 11 02/12/2013

DO NOT SCALE





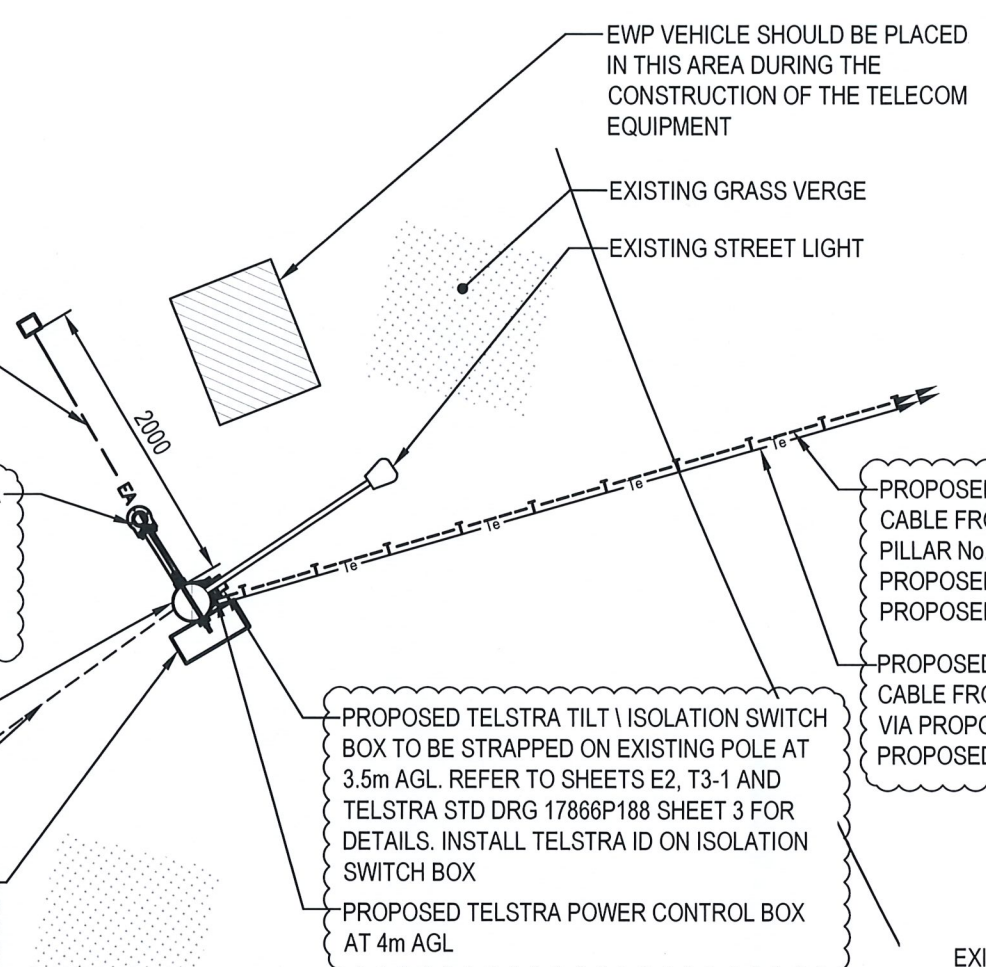
PROPOSED AC PROTECTIVE EARTH CABLE TO MEN LINK. REFER TO TELSTRA STANDARD 017866P190 SHEET 22

PROPOSED TELSTRA LTE700 OMNI ANTENNA (1 OFF A1) TO BE INSTALLED ON EXISTING TIMBER POLE AT E.L. 7.3m ON PROPOSED MOUNT. REFER TO SHEET T3 FOR MOUNTING DETAILS

EXISTING TIMBER STREET LIGHT POLE

EXISTING O/H WIRES (TELECOM)

PROPOSED ICS SMALL CELL ENCLOSURE FG-ENCL-0085 HOSTING TELSTRA LTE700 EQUIPMENT; RRUS2217, FIBRE INTERFACE BOX AND PSU AC02. REFER TO FIDO-002 PACKAGING OPTION 1B FOR DETAILS.



SITE LAYOUT
SCALE 1:50
500 0 2500 SCALE 1:50

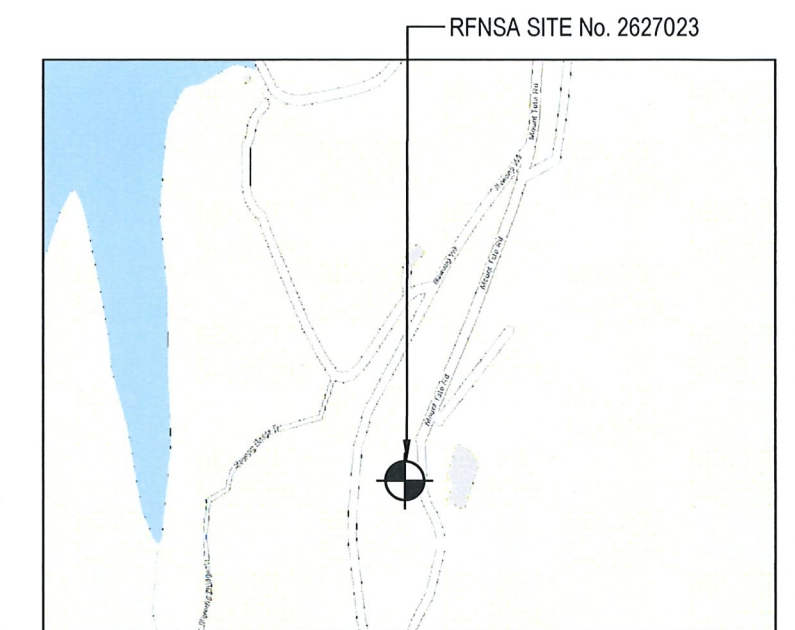
EWP VEHICLE SHOULD BE PLACED IN THIS AREA DURING THE CONSTRUCTION OF THE TELECOM EQUIPMENT

EXISTING GRASS VERGE
EXISTING STREET LIGHT

PROPOSED TELSTRA U/G POWER CABLE FROM NEAR BY POWER PILLAR No. NP374985 VIA PROPOSED P20 CONDUIT TO PROPOSED ISOLATION SWITCH

PROPOSED TELSTRA TILT \ ISOLATION SWITCH BOX TO BE STRAPPED ON EXISTING POLE AT 3.5m AGL. REFER TO SHEETS E2, T3-1 AND TELSTRA STD DRG 17866P188 SHEET 3 FOR DETAILS. INSTALL TELSTRA ID ON ISOLATION SWITCH BOX

PROPOSED TELSTRA POWER CONTROL BOX AT 4m AGL



COPYRIGHT © WHEREIS® REGISTERED TRADEMARK OF SENSIS PTY LTD.

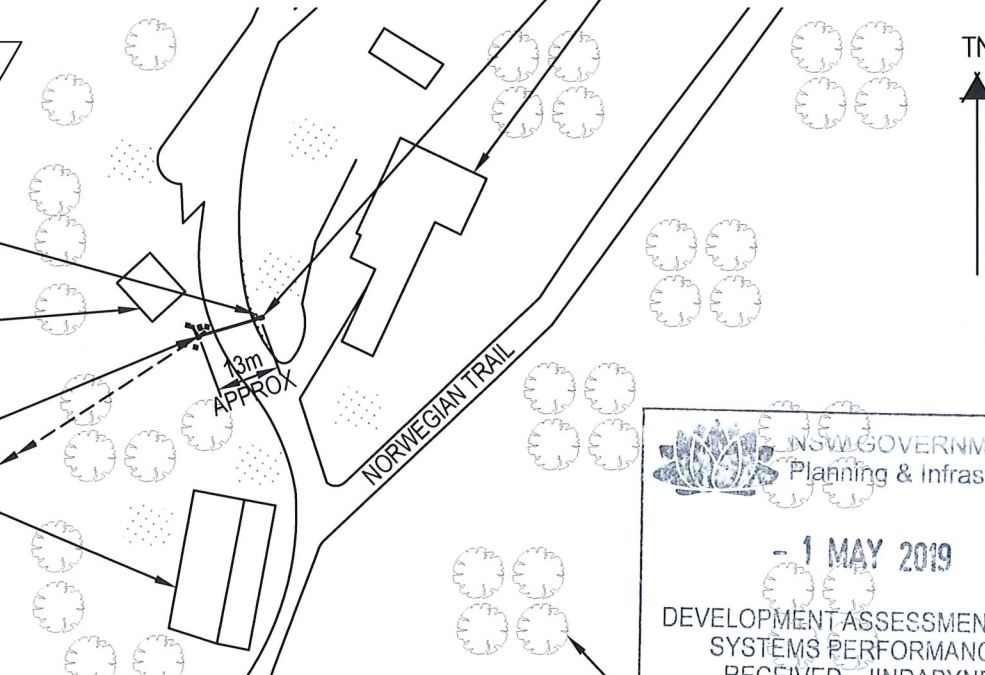
LOCALITY PLAN
NOT TO SCALE

EXISTING POWER PILLAR NP374985

EXISTING KOSCIUSZKO NATIONAL PARK

PROPOSED TELSTRA SITE

EXISTING AUSTRALIAN SKI CLUB



SITE ACCESS
SCALE 1:1500
30m 0 30m 60m SCALE 1:1500



- NOTES:**
1. ALL FEEDER ACCESS POINTS ON THE STRUCTURE MUST BE BIRD PROOFED AS PER EXTERNAL PLANT POLICY 003615.
 2. FOR SITE SPECIFIC NOTES REFER TO SHEET S0.
 3. FOR EME SIGNS NOTED THUS (#) REFER TO 005486 FOR DETAILS.
 4. PROPOSED BB6303 IS INSTALLED AT DONOR SITE LOCATION: SITE NODE (PRVG).

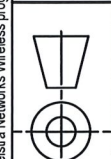
COMPLIANCE BOX
COMPLETED AS PER DESIGN
ALTERATIONS IN RED
NAME (PRINT) _____
SIGNATURE _____ DATE _____

UNAPPROVED DRAWING

FOR CONSTRUCTION

DO NOT SCALE

F



PROPERTY DESCRIPTION

PART OF LOT (TBC) ON (TBC)
PARISH OF (TBC)
COUNTY OF (TBC)

SITE STRUCTURE CO-ORDINATES (GDA94) GPS READING ACCURACY: ± 10m CENTRE OF POLE	
LATITUDE	GDA 94 -36.38243
LONGITUDE	GDA 94 148.37261

CYIENT
Level 1, 350 Collins Street Melbourne, Victoria 3000 Australia
T +61 3 8605 4815 | F +61 3 8601 1180 | www.cyient.com

ORDER	DRAWN	CHKD	AMENDMENT	EXAM	APPD	DATE	ISS
NA18546.01	MH	PNK	FOR CONSTRUCTION - 30069069W0053CYI - LTE700	SW	SW	21.01.19	1

Telstra
MOBILE NETWORK SITE 321653
GUTHEGA FARM CREEK
SITE LAYOUT AND ACCESS
OFF MOUNT TATE ROAD, GUTHEGA VILLAGE, NSW 2627

DWG NO. **N110757** SHT NO. S1

© Telstra Corporation Limited ABN 33 051 775 556 All rights reserved.

Call file: N110757.dwg

Telstra Networks Wireless program Delivery Template - 017866P02 issue 11 02/12/2013

TELSTRA ANTENNA CONFIGURATION TABLE

ANTENNA No	ANTENNA TYPE & SIZE H x W x D	ANTENNA ACTION REQUIRED	ANTENNA HEIGHT BASE A.G.L.	PHYSICAL ANTENNA BEARING (x°T)	SECTOR NO. & TECHNOLOGY
A1	UNX001U-2P OMNI Ø82 x 978	INSTALL	7.3m	0°	S0: LTE700 S0: LTE700

SERVICES LEGEND

— E — E — E —	OVERHEAD POWER LINES
— T — T — T —	TELSTRA FIBRE CABLES
— Te — Te — Te —	TELSTRA SUPPLY
— EA — EA — EA —	TELSTRA EARTH CABLE 19/1.53mm
— FE — FE — FE —	TELSTRA RF FEEDER

SITE EME SIGNAGE

- # 1 VESI SIGN
(1 OFF) PROPOSED SIGN SECURED TO ON SIDE OF ISOLATION / TILT SWITCH
 - # 2 EME TELSTRA #2 SIGN
PROPOSED SIGNS TO BE UV STABLE STICKERS AND FIXED TO BASE OF TELSTRA OMNI ANTENNA
 - # 14 EME TELSTRA #14 SIGN
PROPOSED SIGN SECURED TO AFFIXED 1.0m BELOW LOWEST ANTENNA
- TELSTRA ID PLATE
(1 OFF) TO BE INSTALLED ON SIDE OF ISOLATION / TILT SWITCH

UNAPPROVED DRAWING

NSW GOVERNMENT
Planning & Infrastructure

- 1 MAY 2019

DEVELOPMENT ASSESSMENT AND
SYSTEMS PERFORMANCE
RECEIVED - JINDABYNE

COMPLIANCE BOX

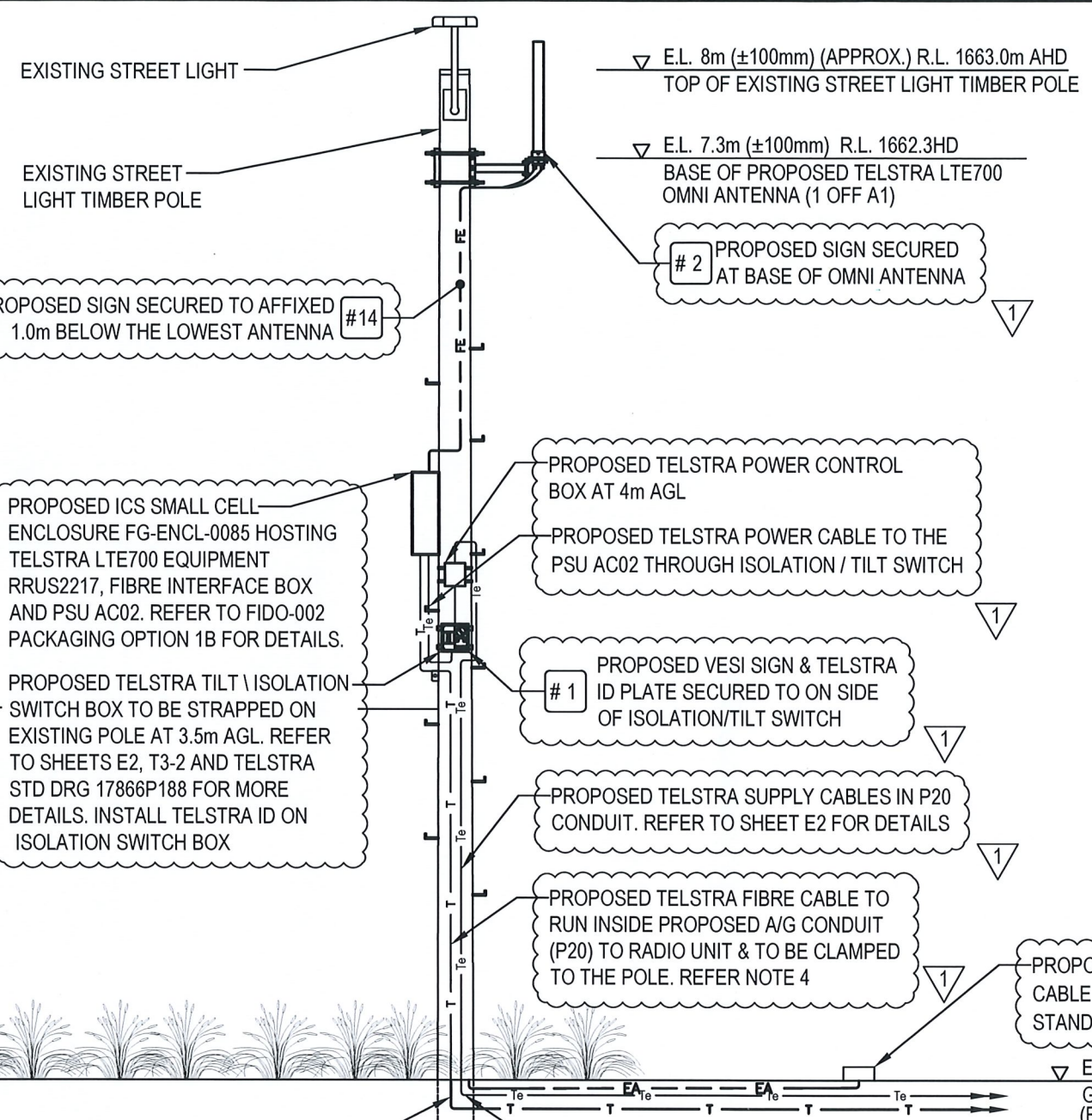
COMPLETED AS PER DESIGN

ALTERATIONS IN RED

NAME (PRINT) _____

SIGNATURE _____ DATE _____

FOR CONSTRUCTION



NORTH EAST ELEVATION
SCALE 1:50
500 0 2500 SCALE 1:50

- NOTES:**
- ALL FEEDER ACCESS POINTS ON THE STRUCTURE MUST BE BIRD PROOFED AS PER EXTERNAL PLANT POLICY 003615.
 - FOR SITE SPECIFIC NOTES REFER TO SHEET S0.
 - FOR EME SIGNS NOTED THUS (#) REFER TO 005486 FOR DETAILS.
 - THE FIBRE PROTECTED CONDUIT MUST BE SECURED WITH A SEALANT ON TOP
 - PROPOSED BB6303 IS INSTALLED AT DONOR SITE LOCATION: SITE NODE (PRVG).

CYIENT

Level 1, 350 Collins Street Melbourne, Victoria 3000 Australia
T +61 3 8605 4815 | F +61 3 8601 1180 | www.cyient.com

ORDER	DRAWN	CHKD	AMENDMENT	EXAM	APPD	DATE	ISS
NA18546.01	MH	PNK	FOR CONSTRUCTION - 30069069W0053CYI - LTE700	SW	SW	21.01.19	1

© Telstra Corporation Limited ABN 33 051 775 556 All rights reserved.

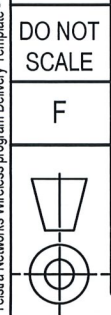
Telstra

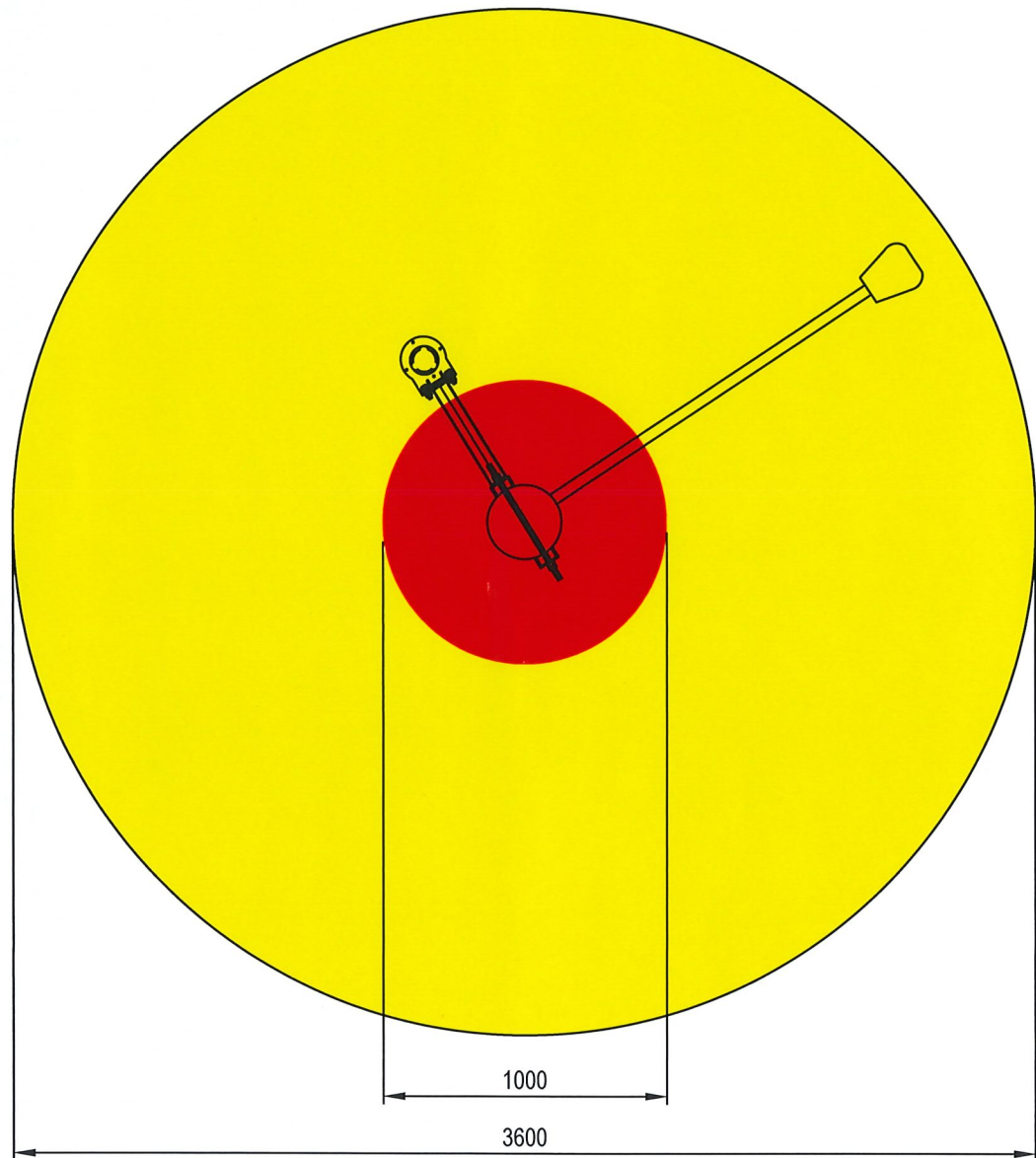
MOBILE NETWORK SITE 321653
GUTHEGA FARM CREEK
NORTH EAST ELEVATION
OFF MOUNT TATE ROAD, GUTHEGA VILLAGE, NSW 2627

N110757

SHT NO. S3

Telstra Networks Wireless program Delivery Template - 017866P02 Issue 11 02/12/2013





EME EXCLUSION ZONES - PLAN
SCALE 1:25

NSW GOVERNMENT
Planning & Infrastructure

- 1 MAY 2019

DEVELOPMENT ASSESSMENT AND
SYSTEMS PERFORMANCE
RECEIVED - JINDABYNE

**UNAPPROVED
DRAWING**

COMPLIANCE BOX
 COMPLETED AS PER DESIGN
 ALTERATIONS IN RED
 NAME (PRINT) _____
 SIGNATURE _____ DATE _____

FOR CONSTRUCTION

CYIENT
 Level 1, 350 Collins Street Melbourne, Victoria 3000 Australia
 T +61 3 8605 4815 | F +61 3 8601 1180 | www.cyient.com

ORDER	DRAWN	CHKD	AMENDMENT	EXAM	APPD	DATE	ISS
NA18546.01	MH	PNK	FOR CONSTRUCTION - 30069069W0053CYI - LTE700	SW	SW	21.01.19	1

© Telstra Corporation Limited ABN 33 051 775 556 All rights reserved.

Telstra
 MOBILE NETWORK SITE 321653
 GUTHEGA FARM CREEK
 EME EXCLUSION ZONES - PLAN
 OFF MOUNT TATE ROAD, GUTHEGA VILLAGE, NSW 2627


DWG NO. **N110757** SHT NO. **A3**

DO NOT SCALE

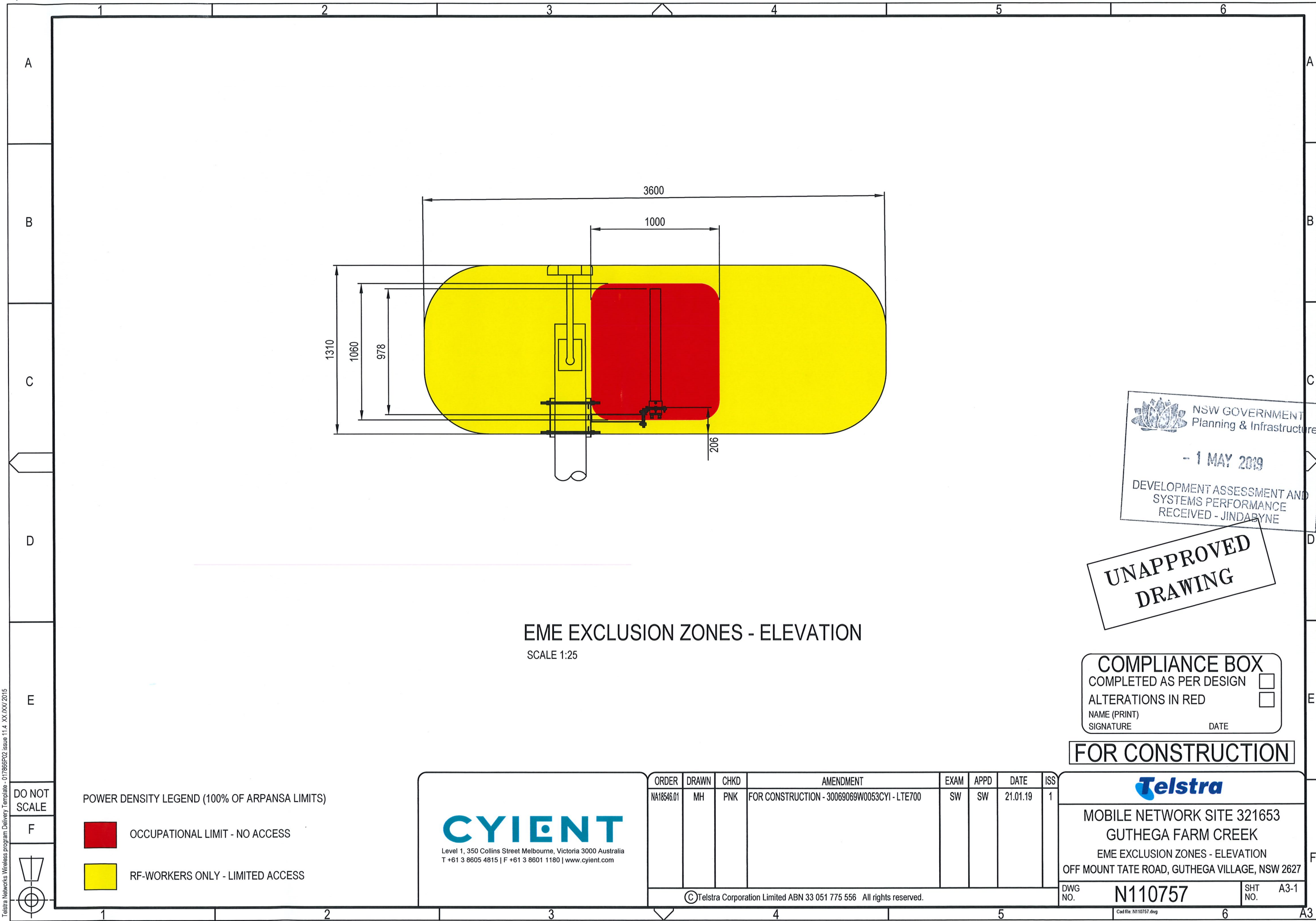
POWER DENSITY LEGEND (100% OF ARPANSA LIMITS)

OCCUPATIONAL LIMIT - NO ACCESS

RF-WORKERS ONLY - LIMITED ACCESS



Telstra Networks Wireless program Delivery Template - 017866P02 issue 11.4 XX/XX/2015



EME EXCLUSION ZONES - ELEVATION

SCALE 1:25

NSW GOVERNMENT
Planning & Infrastructure

- 1 MAY 2019
DEVELOPMENT ASSESSMENT AND
SYSTEMS PERFORMANCE
RECEIVED - JINDABYNE

**UNAPPROVED
DRAWING**

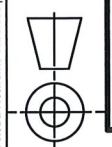
COMPLIANCE BOX
 COMPLETED AS PER DESIGN
 ALTERATIONS IN RED
 NAME (PRINT) _____
 SIGNATURE _____ DATE _____

FOR CONSTRUCTION

Telstra Networks Wireless program Delivery Template - 017865P02 issue 11.4 XX/XX/2015

DO NOT SCALE

F



POWER DENSITY LEGEND (100% OF ARPANSA LIMITS)

- OCCUPATIONAL LIMIT - NO ACCESS
- RF-WORKERS ONLY - LIMITED ACCESS

CYIENT
 Level 1, 350 Collins Street Melbourne, Victoria 3000 Australia
 T +61 3 8605 4815 | F +61 3 8601 1180 | www.cyient.com

ORDER	DRAWN	CHKD	AMENDMENT	EXAM	APPD	DATE	ISS
NA18546.01	MH	PNK	FOR CONSTRUCTION - 30069069W0053CYI - LTE700	SW	SW	21.01.19	1

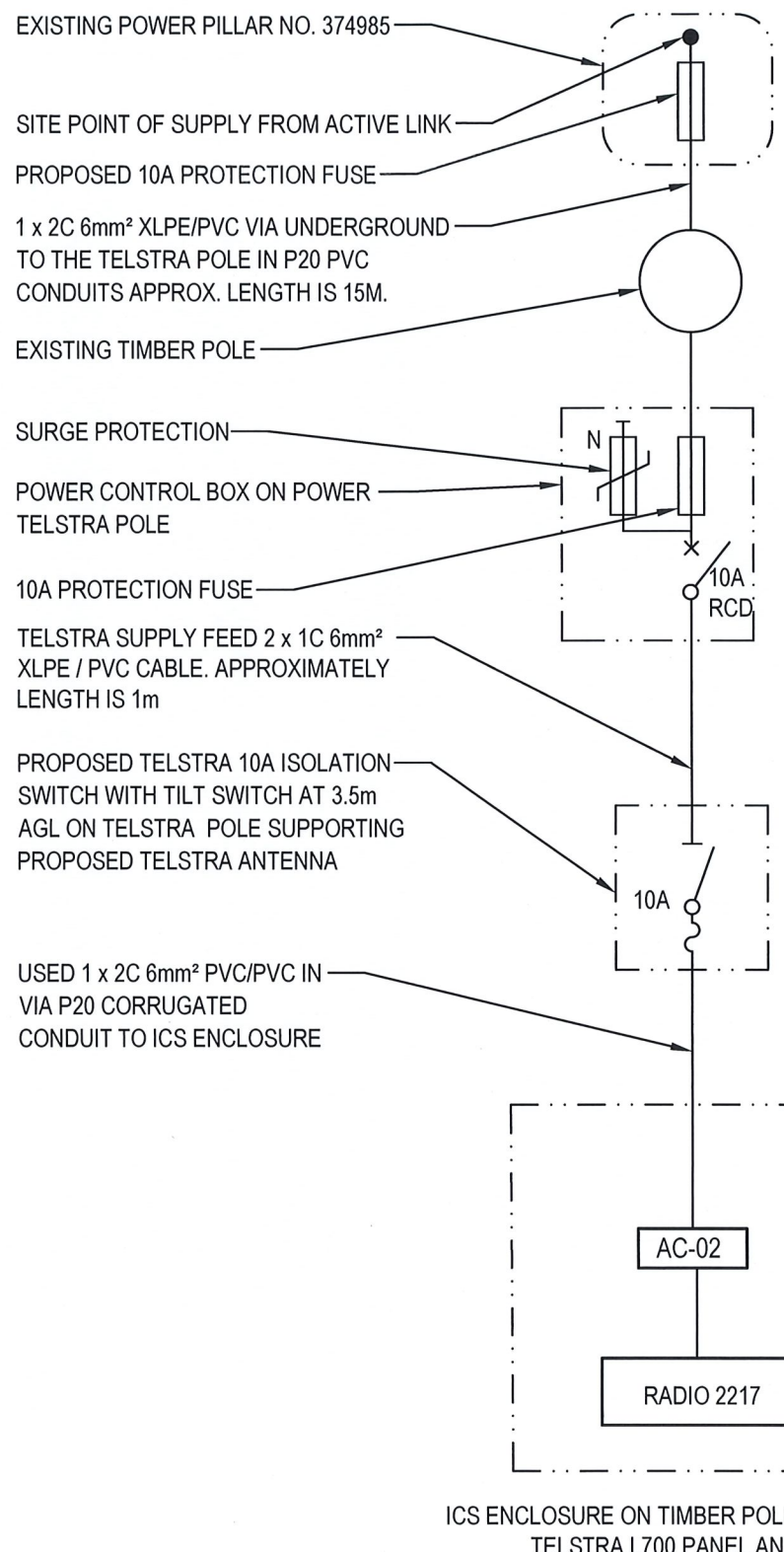
Telstra

MOBILE NETWORK SITE 321653
 GUTHEGA FARM CREEK
 EME EXCLUSION ZONES - ELEVATION
 OFF MOUNT TATE ROAD, GUTHEGA VILLAGE, NSW 2627

DWG NO. **N110757** SHT NO. **A3-1**

© Telstra Corporation Limited ABN 33 051 775 556 All rights reserved.

Cad file: N110757.dwg



EXISTING POWER PILLAR NO. 374985

SITE POINT OF SUPPLY FROM ACTIVE LINK

PROPOSED 10A PROTECTION FUSE

1 x 2C 6mm² XLPE/PVC VIA UNDERGROUND TO THE TELSTRA POLE IN P20 PVC CONDUITS APPROX. LENGTH IS 15M.

EXISTING TIMBER POLE

SURGE PROTECTION

POWER CONTROL BOX ON POWER TELSTRA POLE

10A PROTECTION FUSE

TELSTRA SUPPLY FEED 2 x 1C 6mm² XLPE / PVC CABLE. APPROXIMATELY LENGTH IS 1m

PROPOSED TELSTRA 10A ISOLATION SWITCH WITH TILT SWITCH AT 3.5m AGL ON TELSTRA POLE SUPPORTING PROPOSED TELSTRA ANTENNA

USED 1 x 2C 6mm² PVC/PVC IN VIA P20 CORRUGATED CONDUIT TO ICS ENCLOSURE

ICS ENCLOSURE ON TIMBER POLE SUPPORTING TELSTRA L700 PANEL ANTENNA

TELECOMMUNICATION EARTH ELECTRODE NEAR THE POLE BASE

ELECTRICAL INSTALLATION

1. GENERAL
 ELECTRICAL INSTALLATION SHALL BE IN ACCORDANCE WITH THIS SPECIFICATION, TELSTRA SITE DESIGN BRIEF, TELSTRA CIVIL DESIGN MANUAL, TELSTRA EARTHING MANUAL, AS 3000, AS 3008, AS3015, AS3017, AS1768 AND ALL OTHER RELEVANT AUSTRALIAN STANDARDS AND NEW SOUTH WALES SERVICES AND INSTALLATION RULES. LATEST EDITIONS AND AMENDMENTS IN FORCE AT TIME OF CONSTRUCTION APPLY. CONTRACTOR SHALL MAKE THEMSELVES AWARE OF ALL SERVICES PRESENT ON SITE. CONTRACTOR SHALL MAKE THEMSELVES AWARE OF ALL SITE CONDITIONS AND SAFETY REQUIREMENTS PRIOR TO COMMENCING WORK ON SITE..

2. AC SUPPLY TO TELSTRA SMALL CELL
 10A UN-METRED POWER SUPPLY SHALL BE TAKEN FROM ESSENTIAL ENERGY STREET NETWORK. SITE POINT OF SUPPLY IS FROM POWER PILLAR #374985 VIA PROPOSED 10A PROTECTION FUSE AND U/G SERVICE. USE 1 x 2C 6mm² XLPE/PVC CABLES. APPROXIMATE CABLE LENGTH IS 15m. POWER CONTROL BOX SHALL BE INSTALLED 4m AGL ON THE TELSTRA POLE . SUPPLY SERVICE CABLES WILL BE TERMINATED ON POWER CONTROL BOX. USE 1 x 2C 6mm² PLUS EARTH PVC/PVC IN P20 CONDUIT TO THE ISOLATION / TILT SWITCH LOCATED AT 3.5m AGL ON TELSTRA POLE SUPPORTING TELSTRA ANTENNA.

3. TELSTRA POWER CABLES TO SMALL CELL
 USE 1 x 2C 6mm² XLPE/PVC CABLES VIA CORRUGATED P20 PVC CONDUIT. APPROXIMATE LENGTH IS 1m. POWER CABLES SHALL BE TERMINATED IN TELSTRA ICS ENCLOSURE ON PSU-AC02 AC TERMINALS.

4. DC POWER SYSTEM
 USE THE AC TO DC PSU AC-02 TO PROVIDE DC POWER TO THE RADIO UNIT 2217.

5. EARTHING
 SITE EARTHING SHALL BE IN COMPLIANCE WITH TELSTRA STANDARDS 017866P190 SHEET 22. PROVIDE AND INSTALL AN EARTH ELECTRODE NEAR THE POLE BASE. REFER TO TELSTRA STANDARD 017866P190 SHEET 22 FOR EARTH PIT DETAIL. ICS ENCLOSURE FRAME SHALL BE BONDED TO THE ELECTRODE USING 35mm² GY INSULATED EARTH CONDUCTOR.

LEGEND:

- POLYPHASE METER
T = TELSTRA
- DISTRIBUTION BOARD
- CIRCUIT BREAKER
- DENOTES NO. OF PHASES
- AUTHORITY FUSES SERVICE

Telstra Networks Wireless program Delivery Template - 017866P02 issue 11 02 /12/ 2013

CYIENT
 Level 1, 350 Collins Street Melbourne, Victoria 3000 Australia
 T +61 3 8605 4815 | F +61 3 8601 1180 | www.cyient.com

ORDER	DRAWN	CHKD	AMENDMENT	EXAM	APPD	DATE	ISS
NA18546.01	MH	PNK	FOR CONSTRUCTION - 30069069W0053CYI - LTE700	SW	SW	21.01.19	1

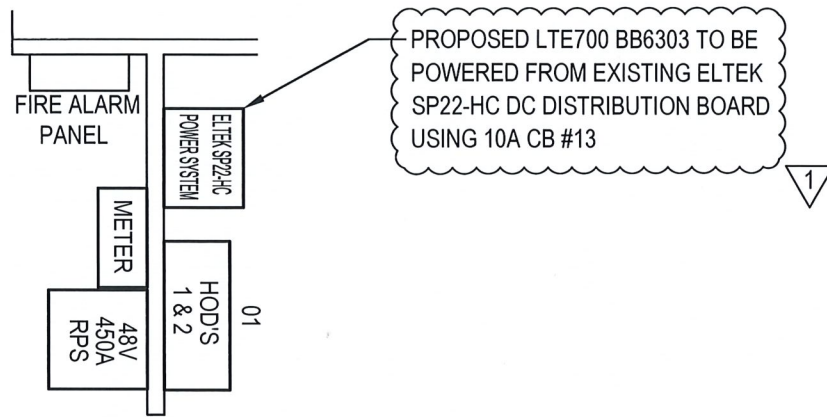
© Telstra Corporation Limited ABN 33 051 775 556 All rights reserved.

NSW GOVERNMENT
 Department of Planning & Infrastructure
 - 1 MAY 2019
 DEVELOPMENT ASSESSMENT AND
 SYSTEMS PERFORMANCE
 REPORT - JINDABYNE
**UNAPPROVED
 DRAWING**

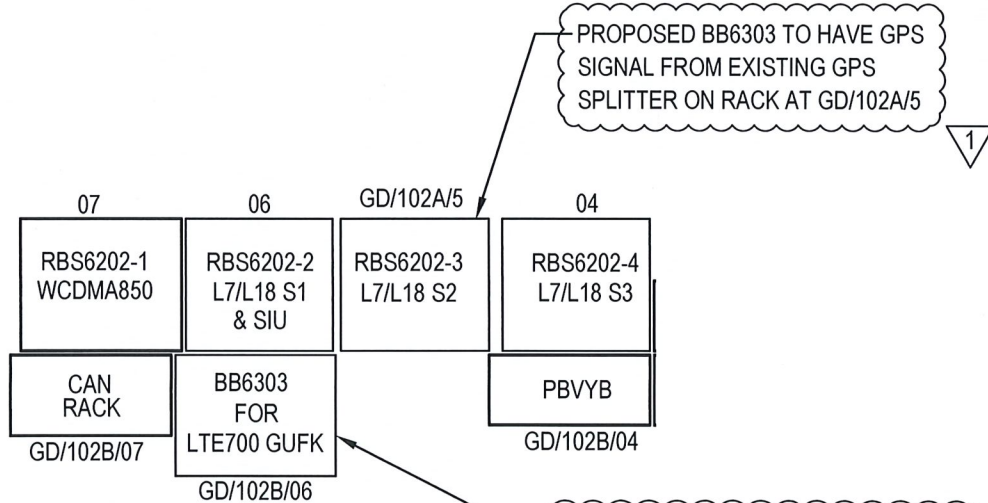
COMPLIANCE BOX
 COMPLETED AS PER DESIGN
 ALTERATIONS IN RED
 NAME (PRINT) _____
 SIGNATURE _____ DATE _____

FOR CONSTRUCTION

Telstra
 MOBILE NETWORK SITE 321653
 GUTHEGA FARM CREEK
 AC POWER CONNECTION
 OFF MOUNT TATE ROAD, GUTHEGA VILLAGE, NSW 2627
 DWG NO. **N110757** SHT NO. E2
 Cad file: N110757.dwg

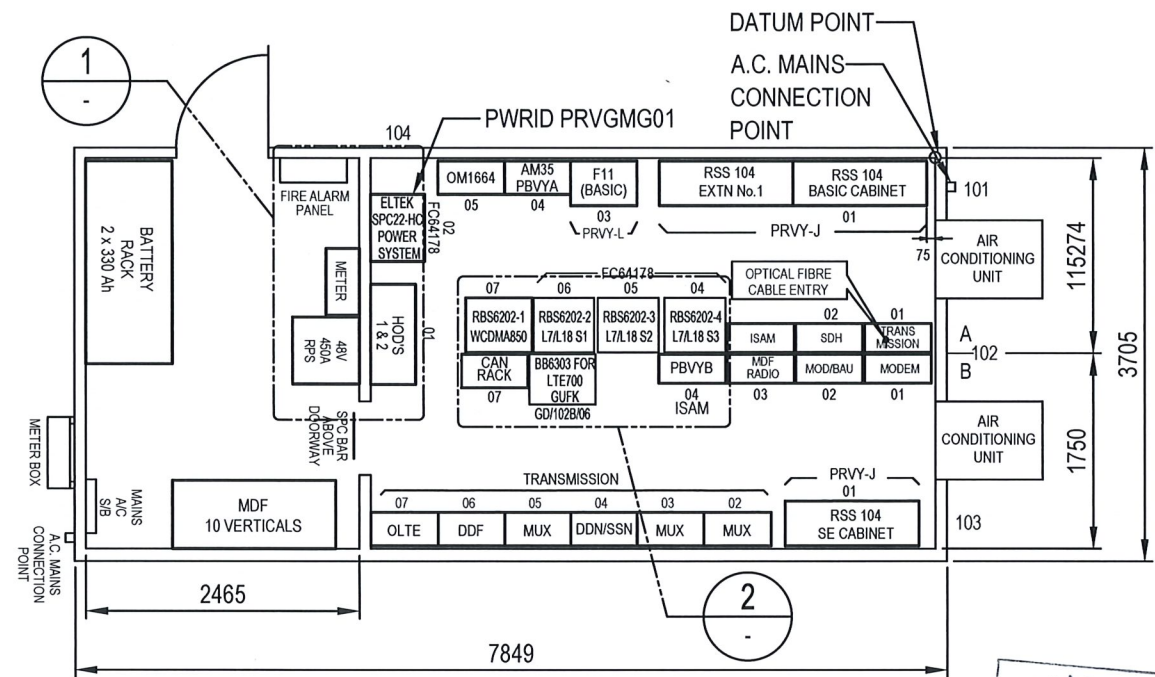


DETAIL 1
SCALE NTS



DETAIL 2
SCALE NTS

RECOVER EXISTING DECOMMISSIONED RBS2206 GSM900 AND INSTALL PROPOSED BB6303



TELECOMMUNICATION EXCHANGE LAYOUT
NOT TO SCALE

NSW GOVERNMENT
Planning & Infrastructure
- 1 MAY 2019
DEVELOPMENT ASSESSMENT AND
SYSTEMS PERFORMANCE
RECEIVED - JINDABYNE

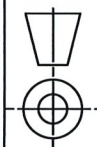
**UNAPPROVED
DRAWING**

COMPLIANCE BOX
 COMPLETED AS PER DESIGN
 ALTERATIONS IN RED
 NAME (PRINT) _____
 SIGNATURE _____ DATE _____

FOR CONSTRUCTION

DO NOT SCALE

F



The copyright and ownership of the drawings is to be assigned to Telstra

CYIENT

Level 1, 350 Collins Street Melbourne, Victoria 3000 Australia
T +61 3 8605 4815 | F +61 3 8601 1180 | www.cyient.com

ORDER	DRAWN	CHKD	AMENDMENT	EXAM	APPD	DATE	ISS
NA18546.01	MH	PNK	FOR CONSTRUCTION - 30089069W0053CYI - LTE700	SW	SW	21.01.19	1

© Telstra Corporation Limited ABN 33 051 775 556 All rights reserved.

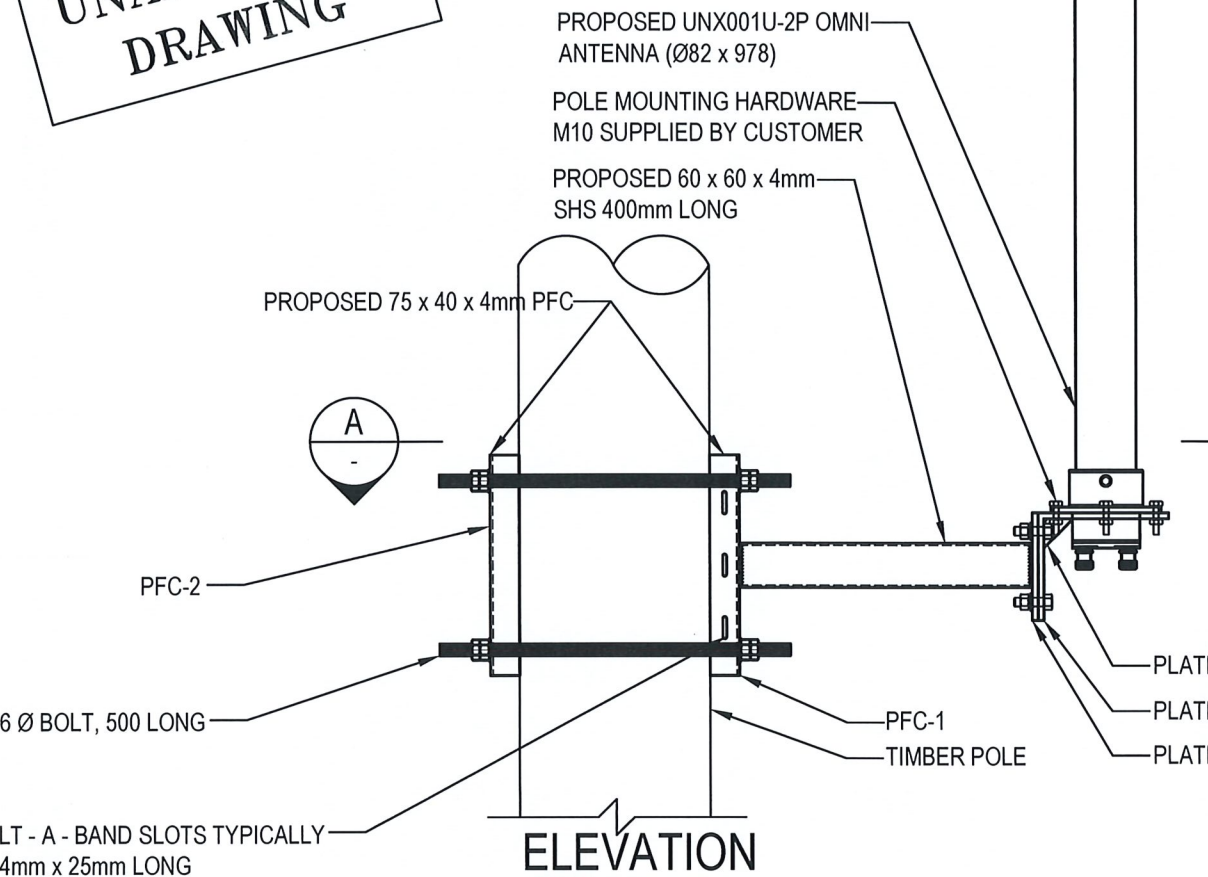
Telstra

MOBILE NETWORK SITE 321653
GUTHEGA FARM CREEK
TE/RT CONSTRUCTION WORKS
OFF MOUNT TATE ROAD, GUTHEGA VILLAGE, NSW 2627

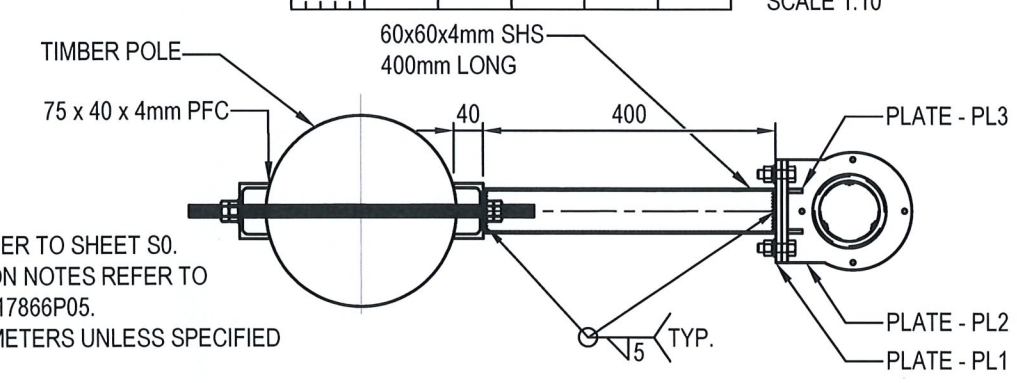
DWG NO. **N110757** SHT NO. E6

Cad file: N110757.dwg

**UNAPPROVED
DRAWING**



ELEVATION
SCALE 1:10



SECTION
SCALE 1:10

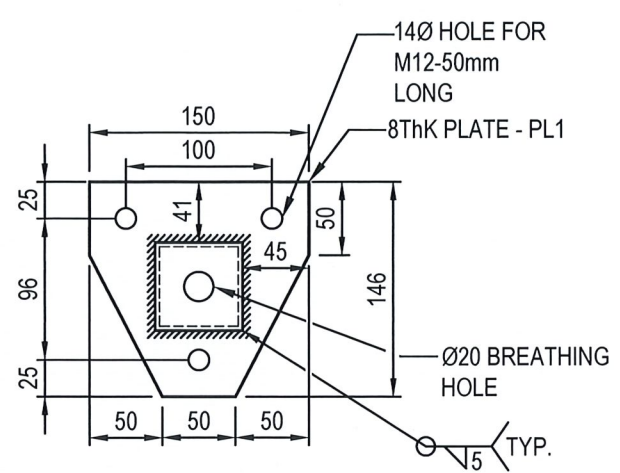
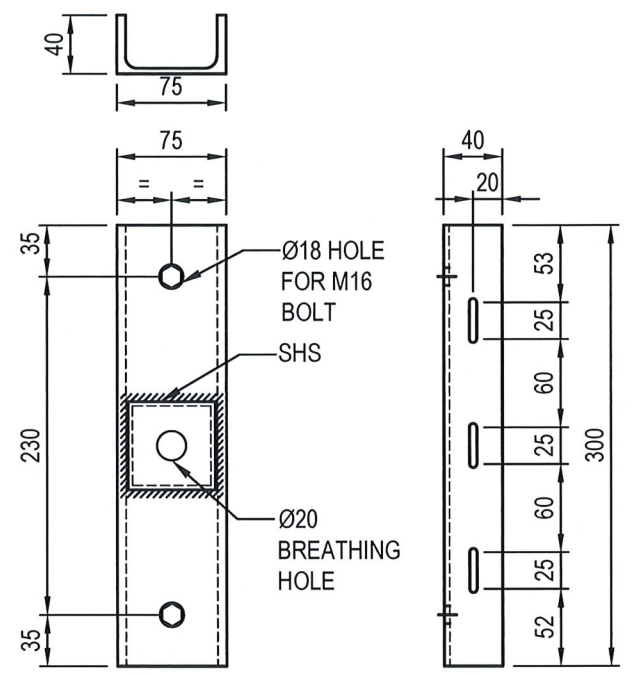


PLATE-PL1
SCALE 1:5



PFC-1
SCALE 1:5

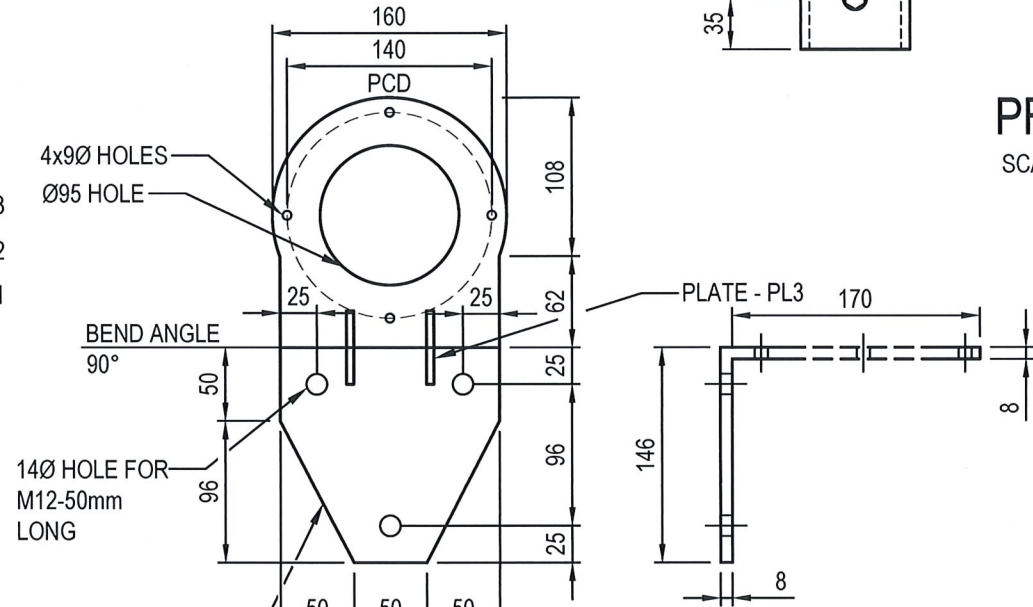
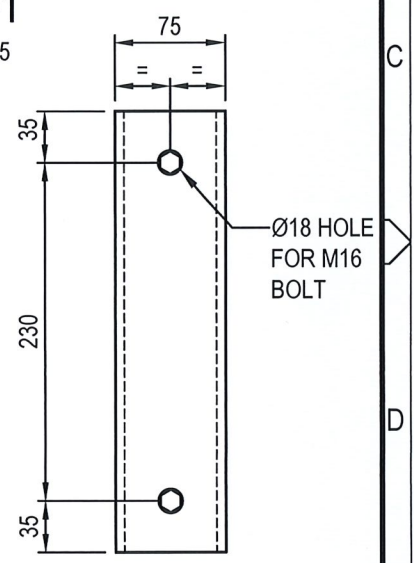


PLATE-PL2
SCALE 1:5



PFC-2
SCALE 1:5

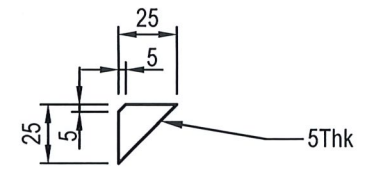


PLATE-PL3
SCALE 1:5

COMPLIANCE BOX
COMPLETED AS PER DESIGN
ALTERATIONS IN RED
NAME (PRINT) _____
SIGNATURE _____ DATE _____

(ONLY FOR TIMBER POLE)
Planning & Infrastructure
- 1 MAY 2019
DEVELOPMENT ASSESSMENT AND
FOR CONSTRUCTION

- NOTES:**
- FOR SITE SPECIFIC NOTES REFER TO SHEET S0.
 - FOR STANDARD CONSTRUCTION NOTES REFER TO TELSTRA STANDARD DRAWING 017866P05.
 - ALL DIMENSIONS ARE IN MILLIMETERS UNLESS SPECIFIED OTHERWISE.
 - HIGH STRENGTH BOLTS TO AS 1252 (1996) GRADE /S U.N.O. ALL SPRING WASHERS TO AS 1968 (1976).
 - ALL HOLLOW SECTIONS TO AS 1163 (2009) GRADE C250LO U.N.O. ALL HOT ROLLED STEEL TO AS 3678 (1996) & AS 3679 (1996) GRADE 300 U.N.O.
 - ALL STEELWORK TO BE IN ACCORDANCE WITH AS 4100, AS 1551 & AS 1163.
 - ALL WELDING TO BE CATEGORY SP TO AS 1554 (2004) ALL WELDS TO BE CONTINUOUS FILLET WELDS THICKNESS AS SPECIFIED.
 - ALL STEELWORK TO BE HOT DIP GALVANIZED TO AS 4680, AS 1559 & AS 1214.
 - APPLY 2 COATS OF ZINC RICH PAINT TO ALL FRESHLY CUT, WELDED OR DRILLED STEEL ON SITE, REMOVE ALL SWARF, BURRS & SHARP EDGES.
 - POLE DIAMETER TO BE VERIFIED PRIOR TO FABRICATION OF STEEL. ASSUMED MINIMUM Ø200.

CYIENT
Level 1, 350 Collins Street Melbourne, Victoria 3000 Australia
T +61 3 8605 4815 | F +61 3 8601 1180 | www.cyient.com

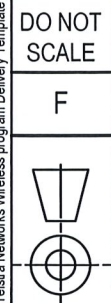
ORDER	DRAWN	CHKD	AMENDMENT	EXAM	APPD	DATE	ISS
NA18546.01	MH	PNK	FOR CONSTRUCTION - 30069069W0053CYI - LTE700	SW	SW	21.01.19	1

Telstra
MOBILE NETWORK SITE 321653
GUTHEGA FARM CREEK
OMNI ANTENNA MOUNTING DETAILS
OFF MOUNT TATE ROAD, GUTHEGA VILLAGE, NSW 2627

DWG NO.	N110757	SHT NO.	T3
---------	---------	---------	----

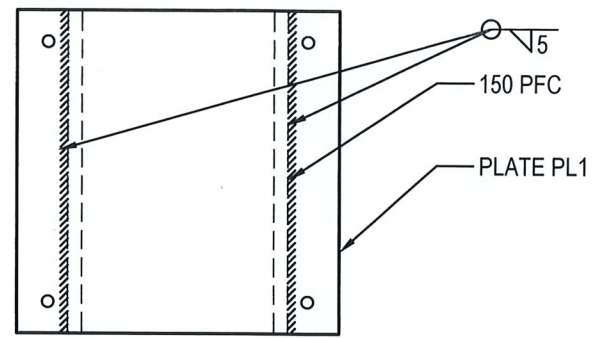
©Telstra Corporation Limited ABN 33 051 775 556 All rights reserved.

Telstra Networks Wireless program Delivery Template - 017866P02 issue 11.4 XX XX/2015

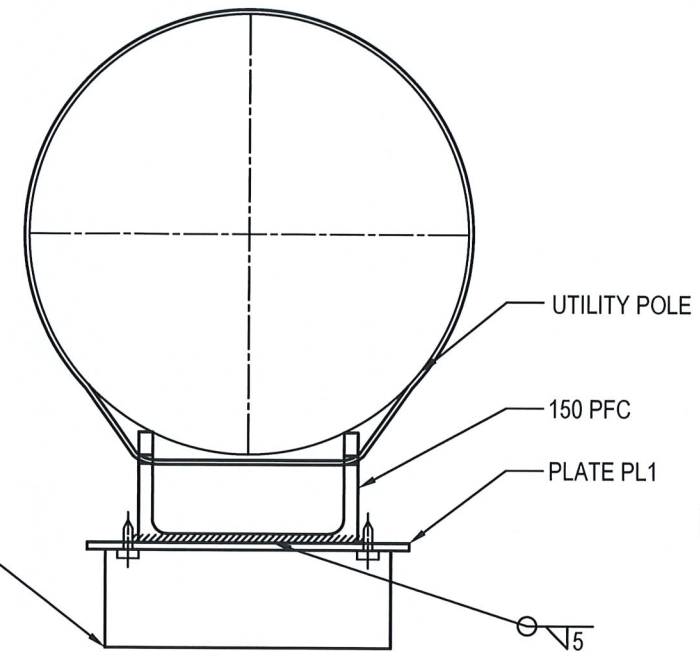


- 1 MAY 2019

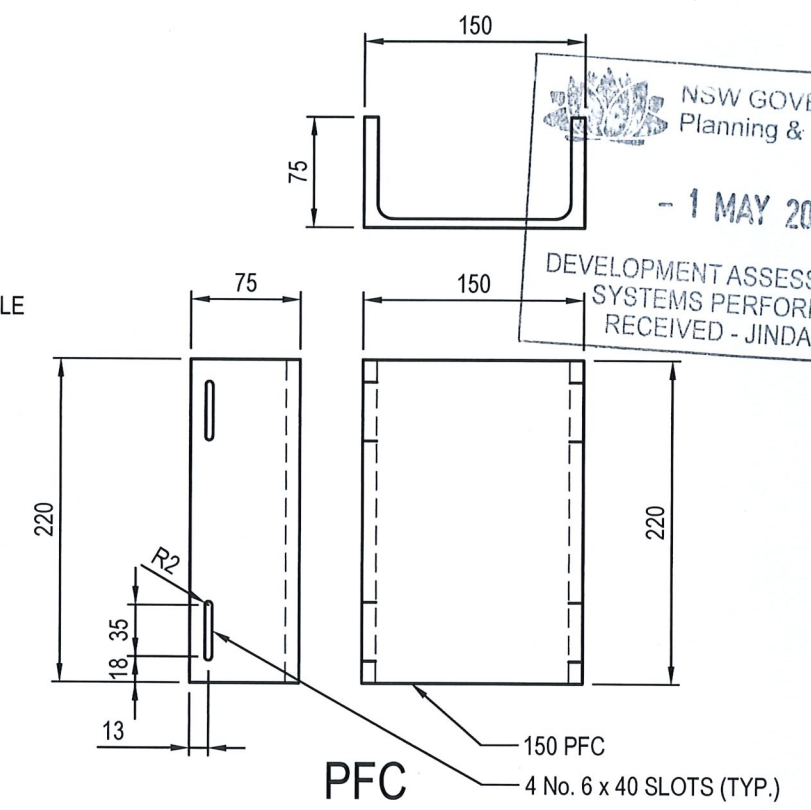
DEVELOPMENT ASSESSMENT AND
SYSTEMS PERFORMANCE
RECEIVED - JINDABYNE



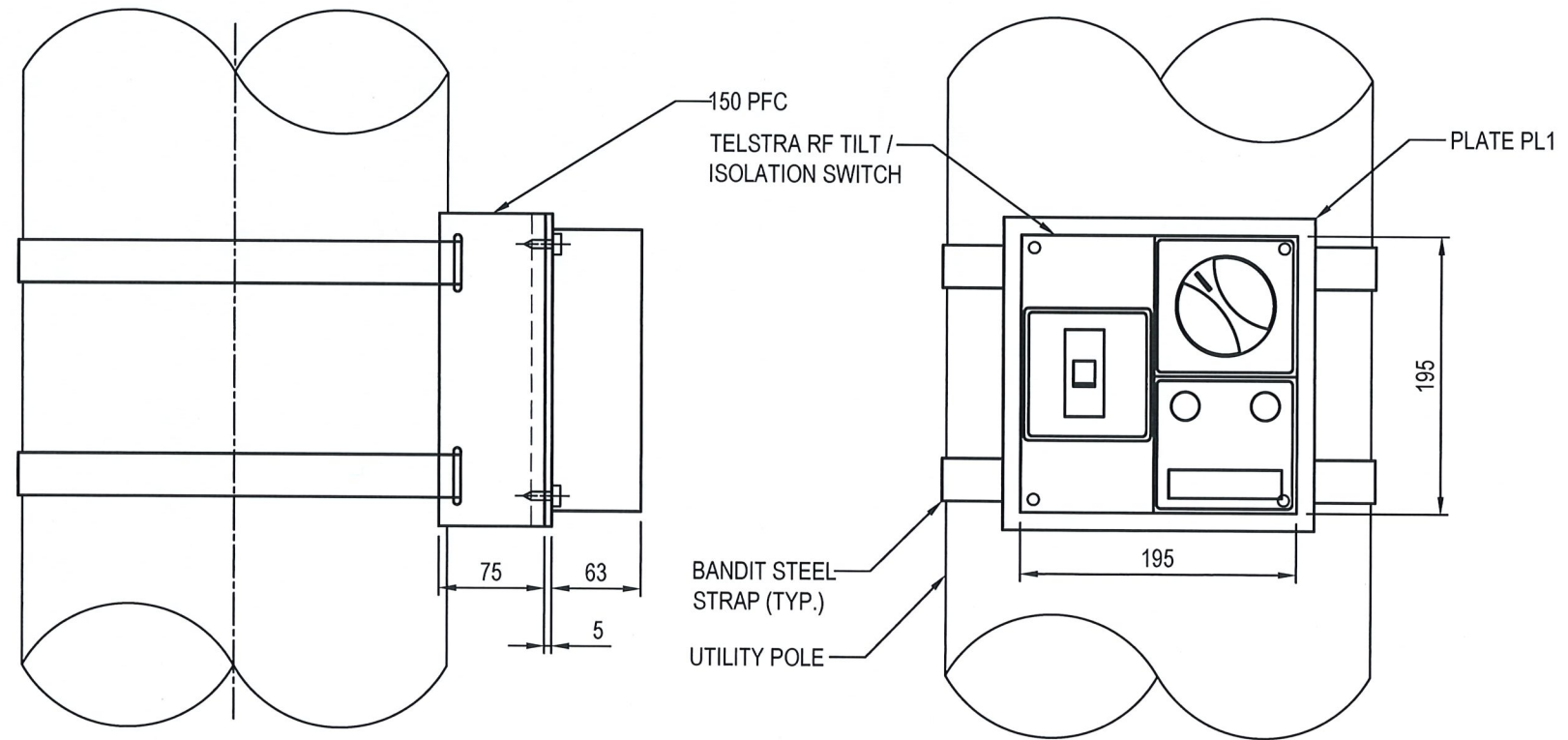
WELD DETAILS



TELSTRA RF TILT /
ISOLATION SWITCH



PFC



TELSTRA RF ISOLATION SWITCH MOUNTING BRACKET
SCALE 1:5

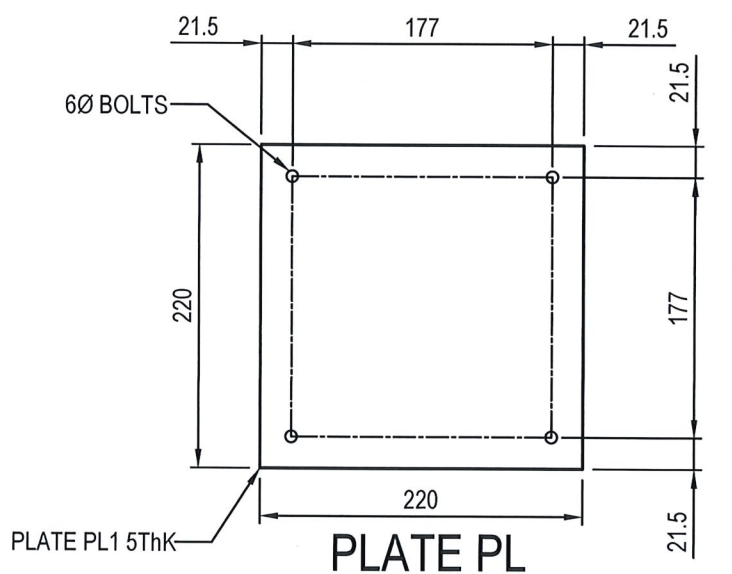


PLATE PL

COMPLIANCE BOX
 COMPLETED AS PER DESIGN
 ALTERATIONS IN RED
 NAME (PRINT) _____
 SIGNATURE _____ DATE _____

FOR CONSTRUCTION

**UNAPPROVED
DRAWING**

NOTES:
 1. FOR SITE SPECIFIC NOTES REFER TO SHEETS S0 & S0-1.
 2. FOR STANDARD CONSTRUCTION NOTES REFER TO TELSTRA
 STANDARD DRAWING 017866P05.

CYIENT
 Level 1, 350 Collins Street Melbourne, Victoria 3000 Australia
 T +61 3 8605 4815 | F +61 3 8601 1180 | www.cyient.com

ORDER	DRAWN	CHKD	AMENDMENT	EXAM	APPD	DATE	ISS
NA18546.01	MH	PNK	FOR CONSTRUCTION - 30069069W0053CYI - LTE700	SW	SW	21.01.19	1

Telstra
 MOBILE NETWORK SITE 321653
 GUTHEGA FARM CREEK
 RF ISOLATION SWITCH MOUNTING DETAILS
 OFF MOUNT TATE ROAD, GUTHEGA VILLAGE, NSW 2627

© Telstra Corporation Limited ABN 33 051 775 556 All rights reserved.

DWG NO. **N110757** SHT NO. T3-1

Telstra Networks Wireless program Delivery Template - 017866P02 issue 11.4 XX /XX/2015