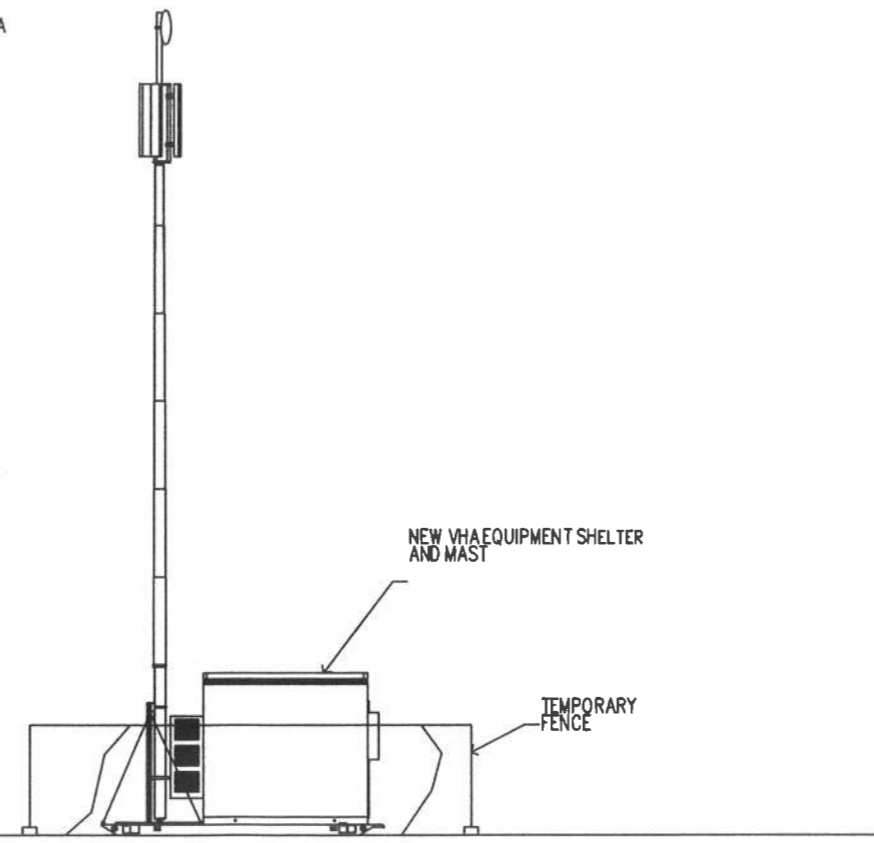



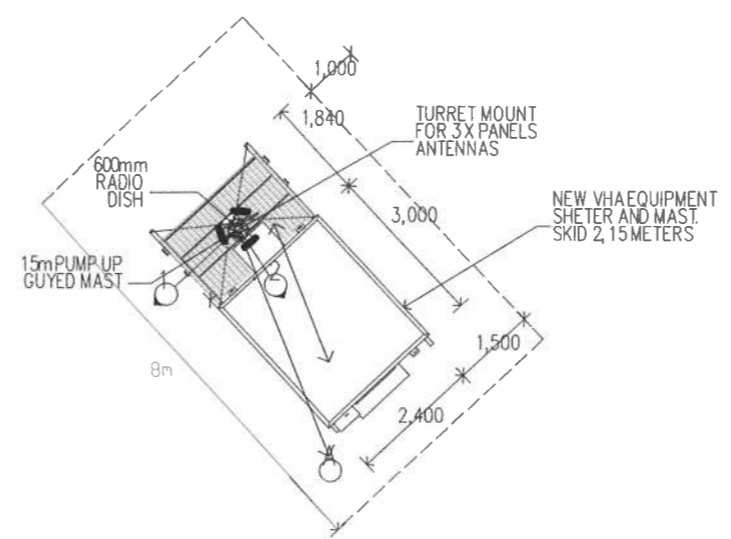
▽ EL 15.0m  
NEW 600mm PARABOLIC ANTENNA  
MOUNTED TO MAST  
▽ EL 14.0m  
NEW KATHREIN 742226 PANEL  
ANTENNAS (30FF)

▽ EL 0.00m  
GROUND LEVEL



ELEVATION  
SCALE: 1:100

 NSW GOVERNMENT  
Planning & Infrastructure  
- 5 MAY 2017  
DEVELOPMENT ASSESSMENT AND  
SYSTEMS PERFORMANCE  
RECEIVED - JINDABYNE



SITE LAYOUT PLAN  
 SCALE: 1:100

Vodafone Temporary Telecommunications Facility at Thredbo.



 NSW GOVERNMENT  
Planning & Infrastructure  
  
- 5 MAY 2017  
  
DEVELOPMENT ASSESSMENT AND  
SYSTEMS PERFORMANCE  
RECEIVED - JINDABYNE



Vodafone Compound

NSW GOVERNMENT  
Planning & Infrastructure

5 MAY 2017

DEVELOPMENT ASSESSMENT AND  
SYSTEMS PERFORMANCE  
RECEIVED - JINDABYNE

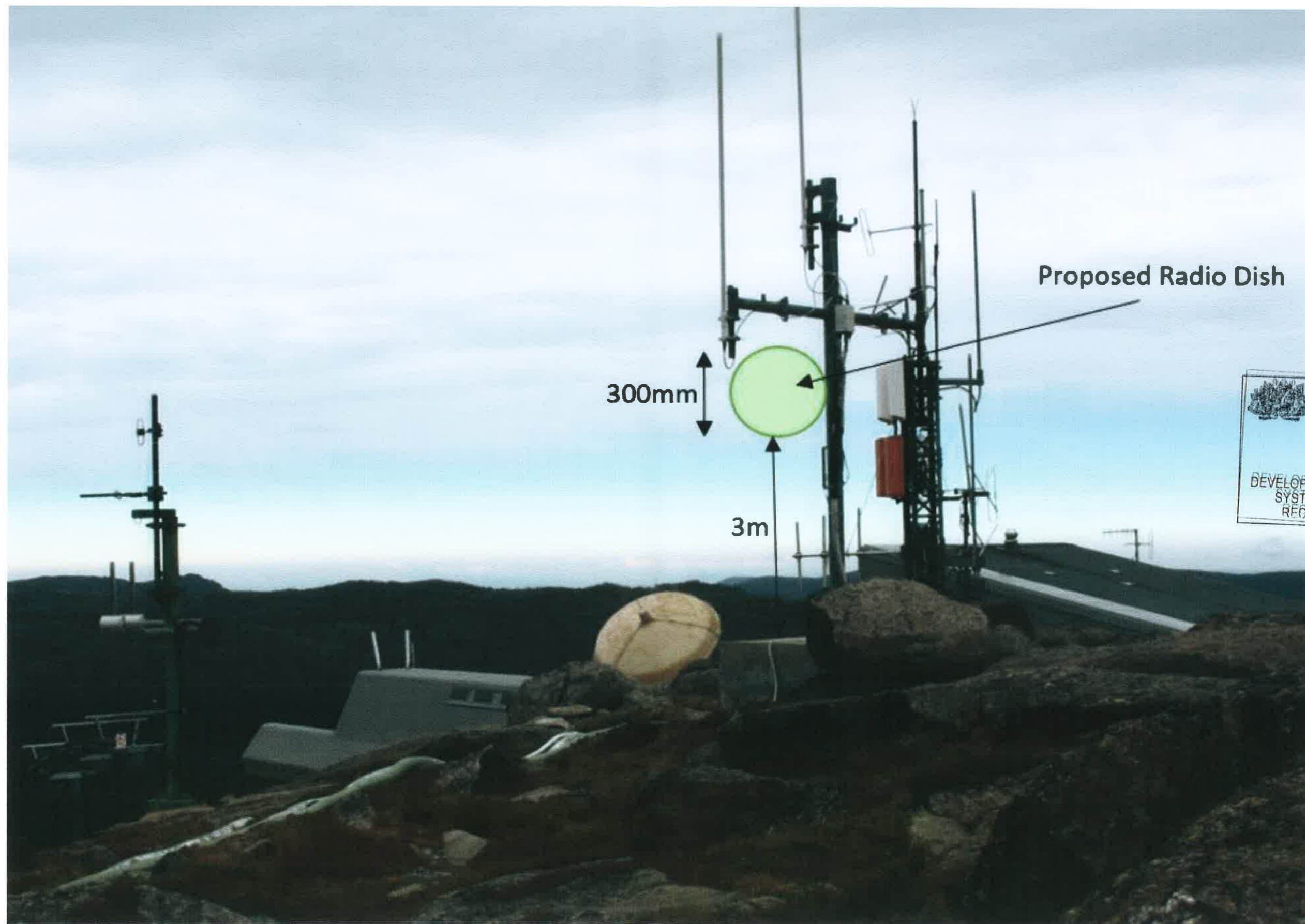
Location of Proposed radio dish – Site Plan



Location of proposed radio dish  
to be fixed to existing Steel Pole

NSW GOVERNMENT  
Planning & Infrastructure  
- 5 MAY 2017  
DEVELOPMENT ASSESSMENT AND  
SYSTEMS PERFORMANCE  
RECEIVED - JINDABYNE

Location of Proposed radio dish – Site Elevation



Proposed Radio Dish

300mm



3m

NSW GOVERNMENT  
Planning & Infrastructure  
= 5 MAY 2017  
DEVELOPMENT ASSESSMENT AND  
SYSTEMS PERFORMANCE  
RECEIVED - JINDARYNE